



1.888.880.4884

Assembly Instructions

ITEM Number : SHU002-1

Product Name: Easton Trundle

PRE-ASSEMBLY PREPARATION:

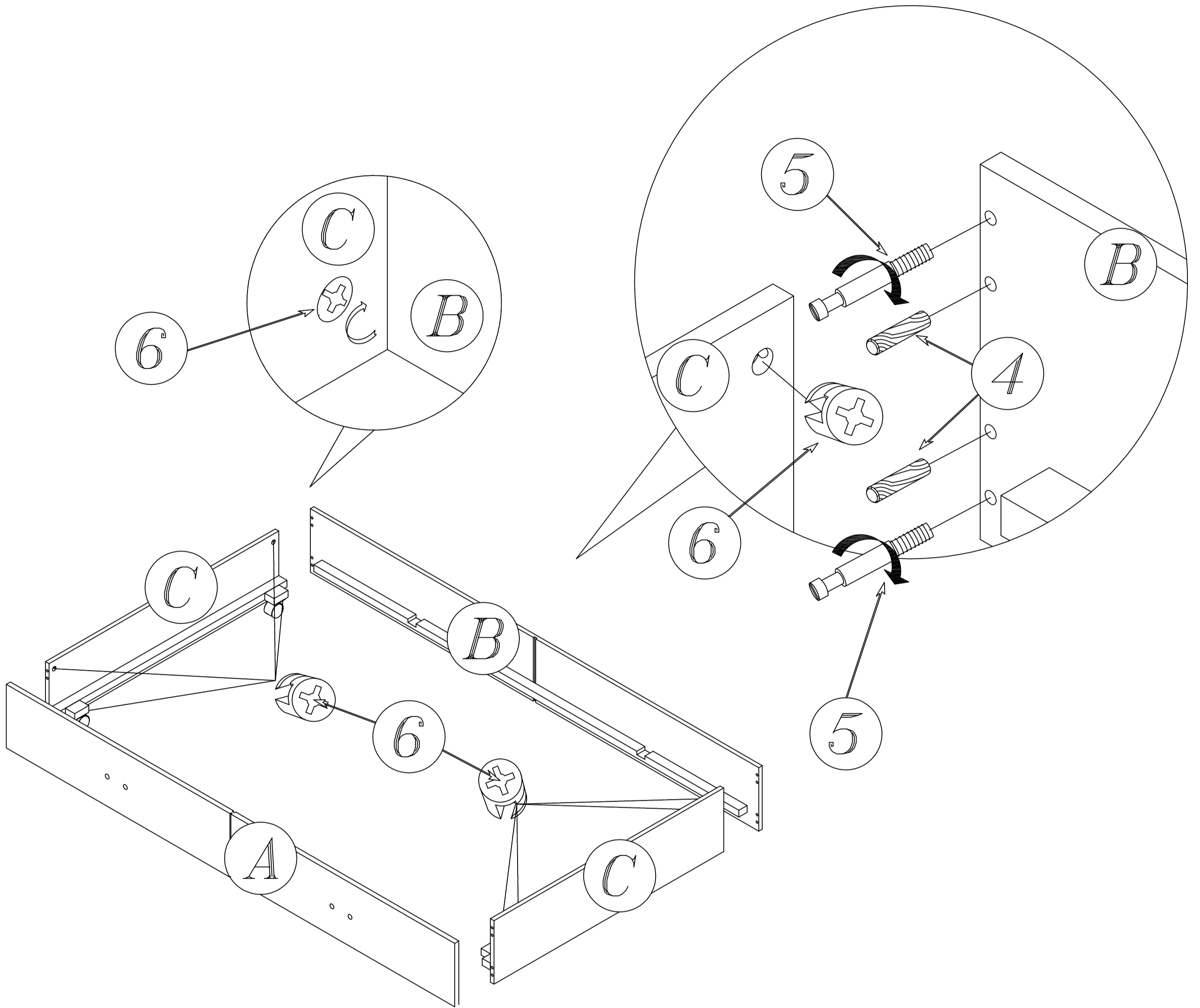
- Insert applicable notes on checking carton for all necessary parts before beginning assembly.
- Any caution statements or comments on one or two people recommended for assembly.
- If small parts are present in the packaging. We must include a warning on keeping small parts away from children.

Panel and Fittings Identification: <Section for parts images and numbering/naming convention>

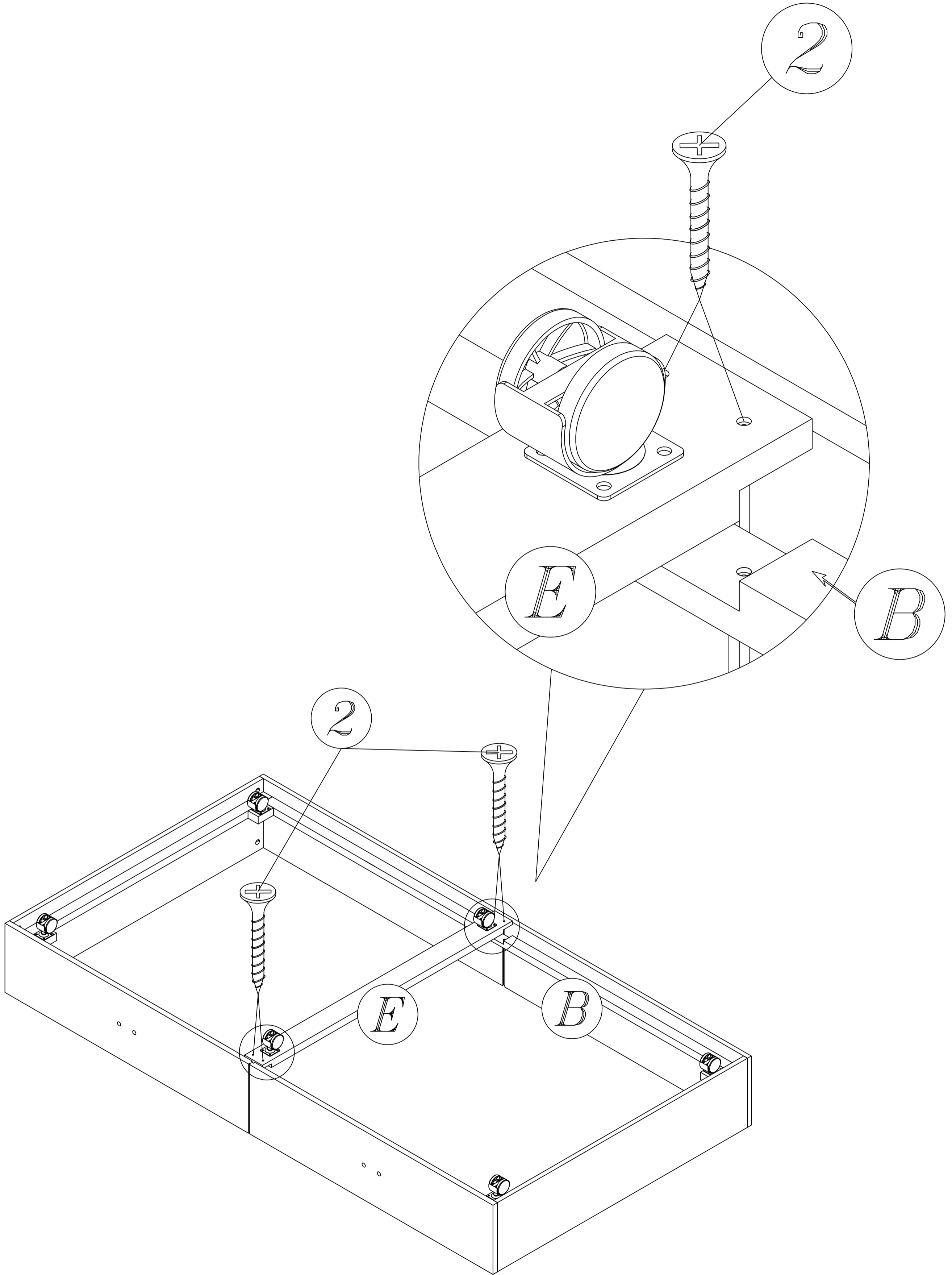
NO	PARTS	QTY
A		1PC
B		1PC
C		2PCS
D		4PCS
E		1PC
F		2PC
G		1PC

NO	FIGURE	QTY
1		2PCS
2		4PCS
3		4PCS
4		8PCS
5		8PCS
6		8PCS
7		24PCS

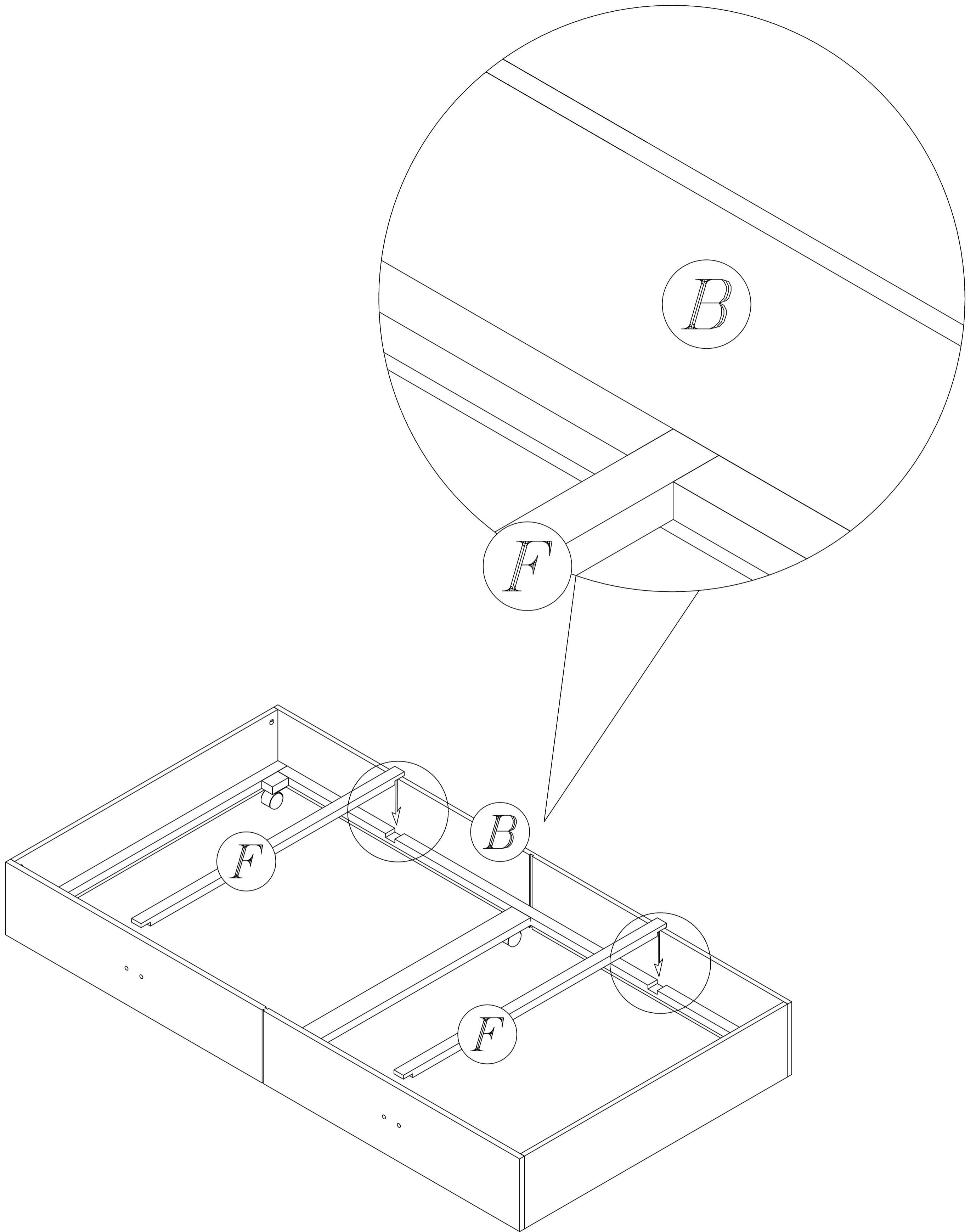
STEP 1



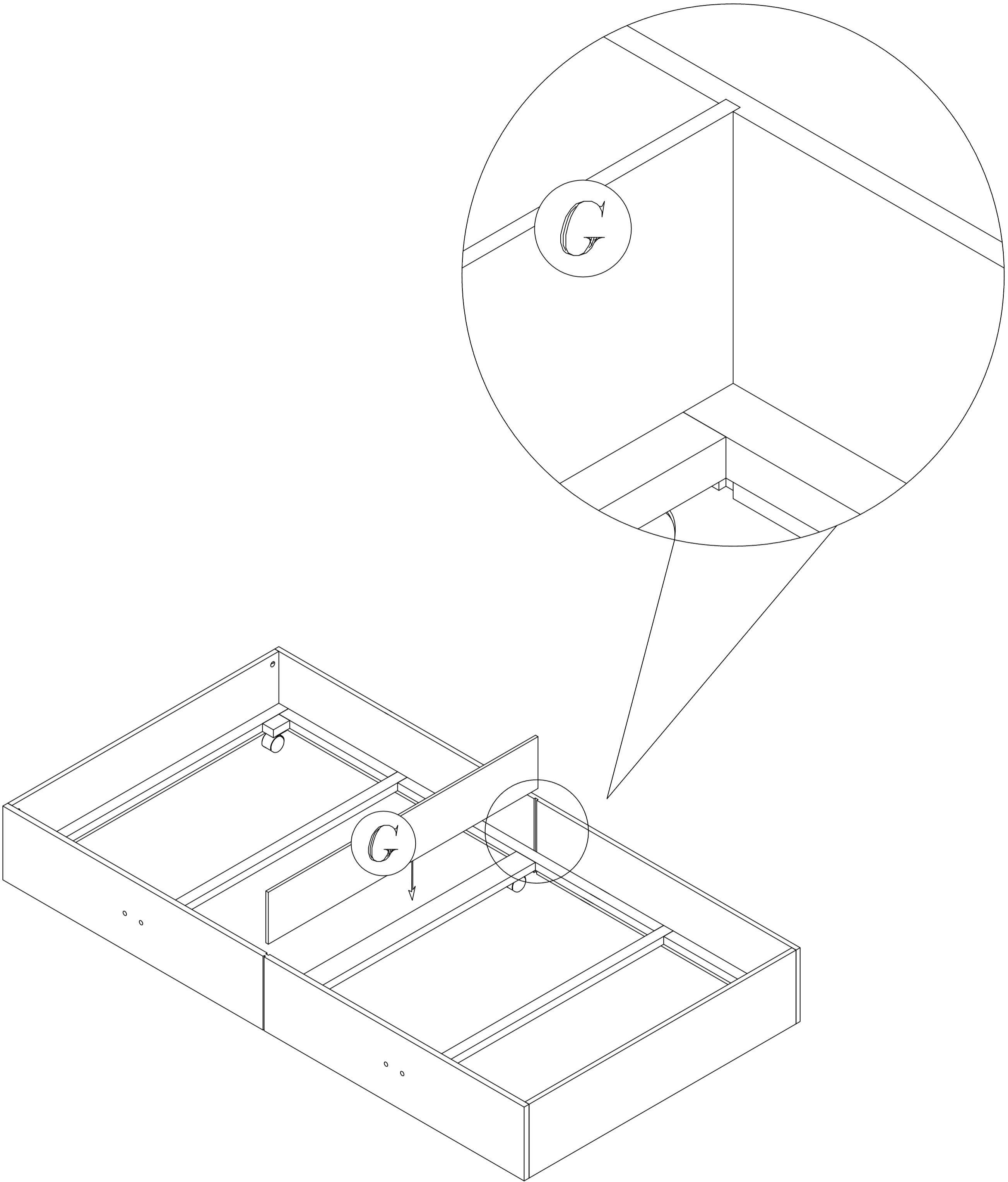
STEP 2



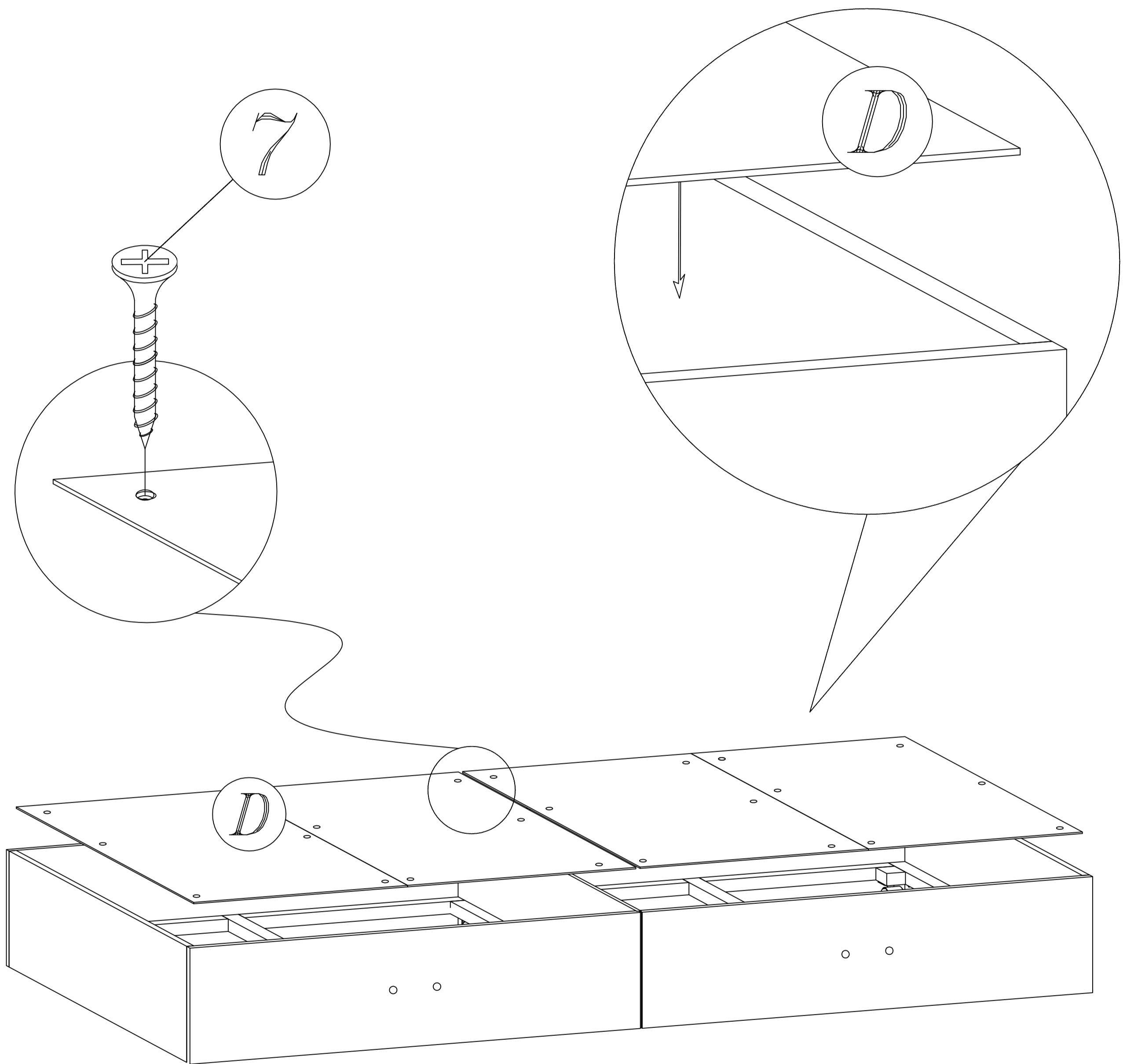
STEP 3



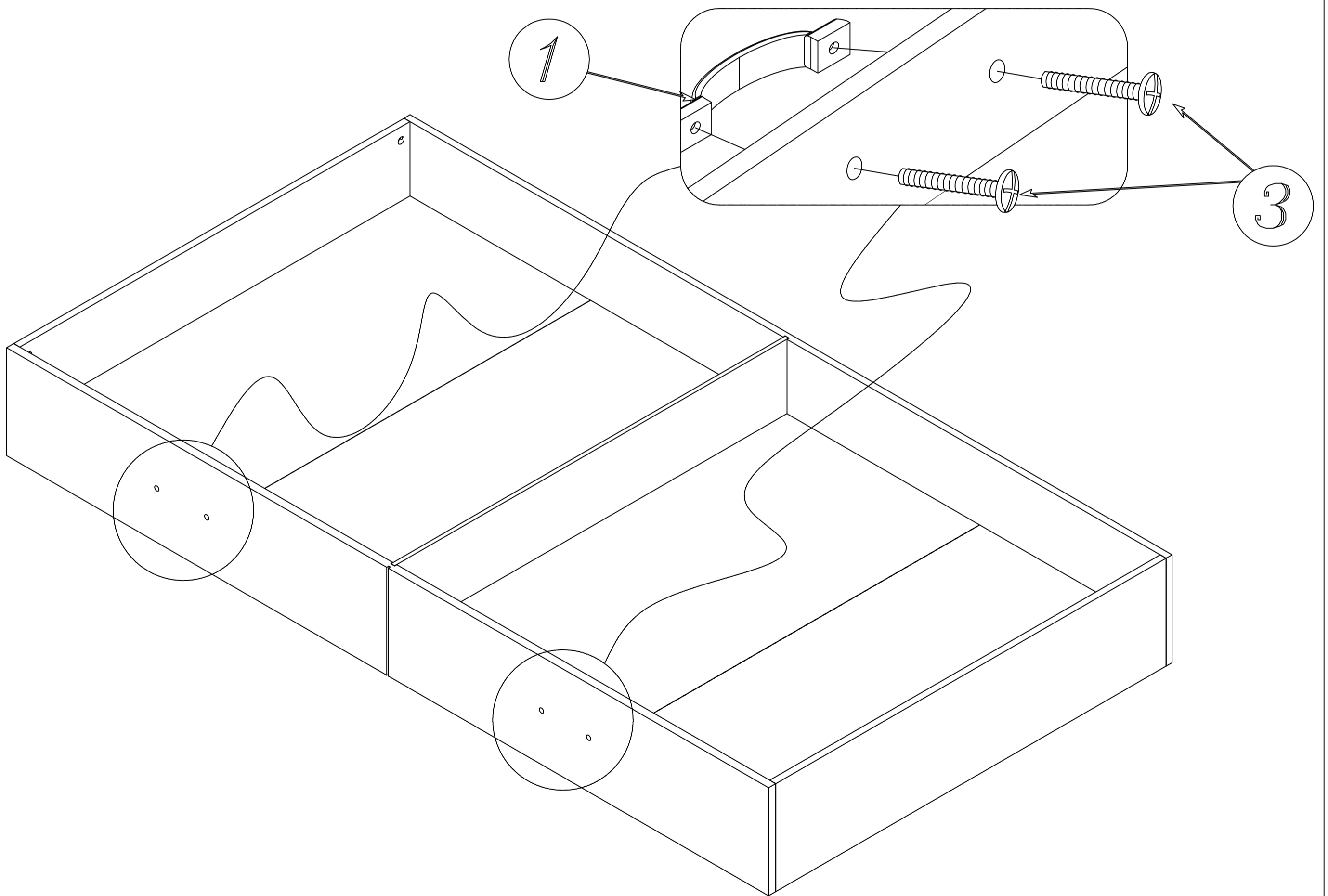
STEP 4



STEP 5



STEP 6



STEP 7

