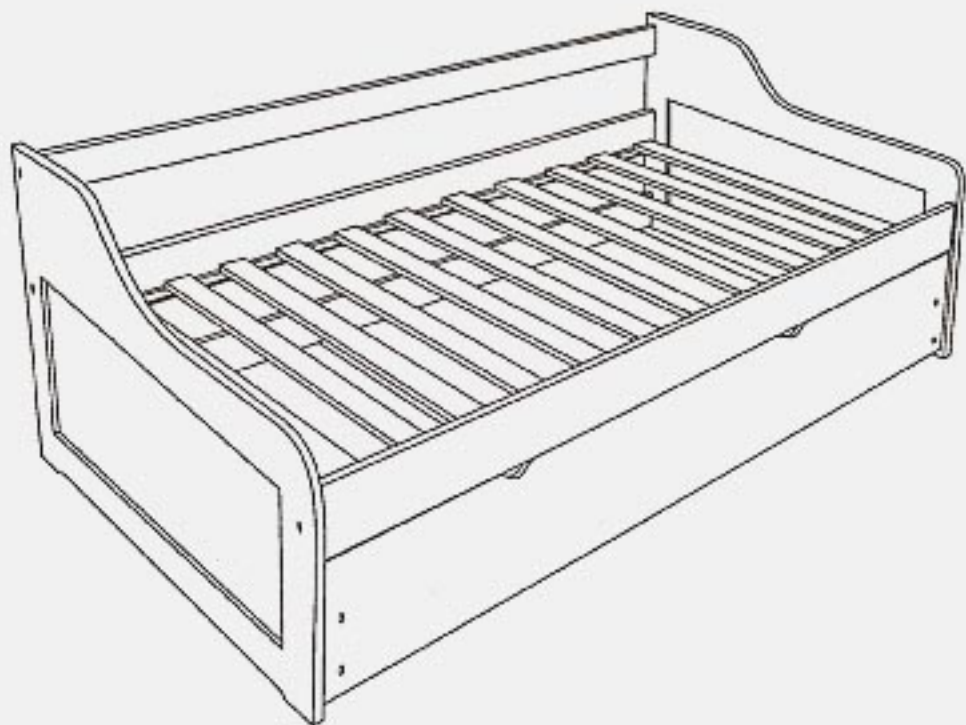
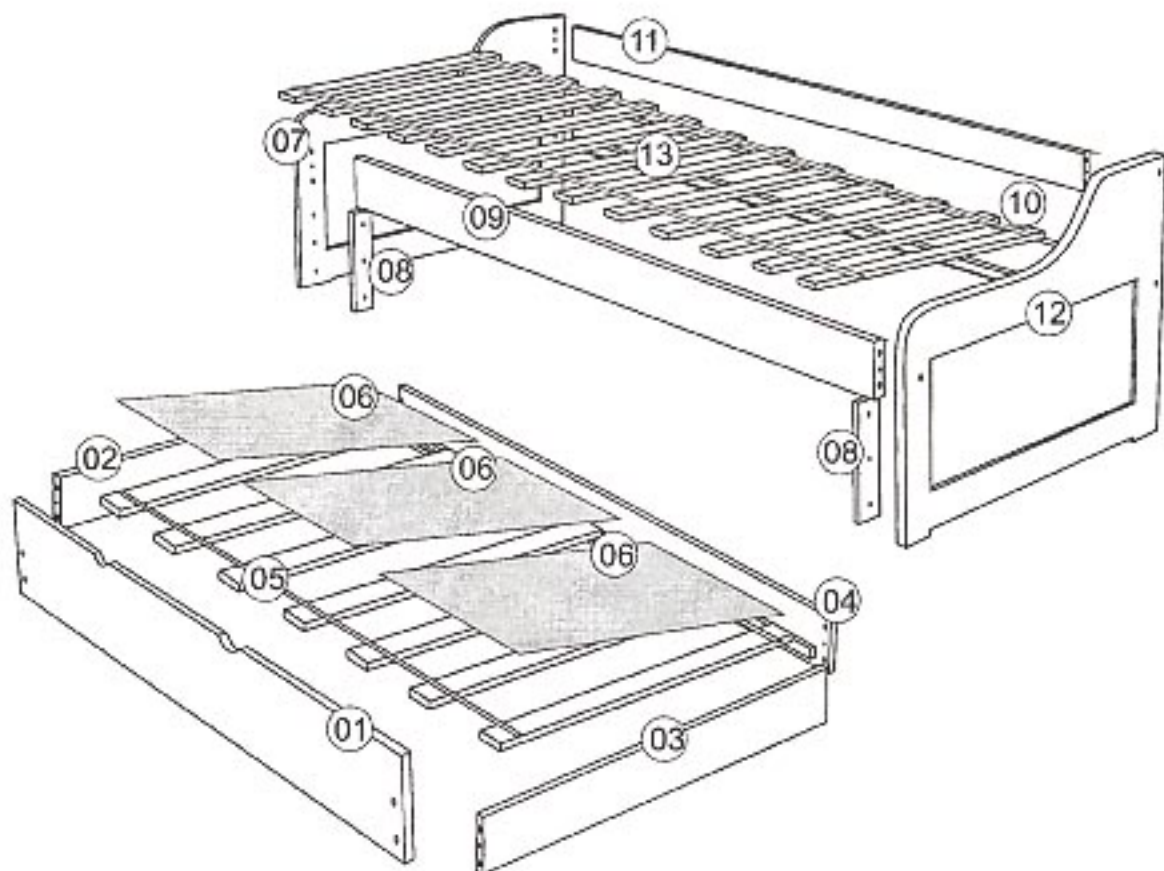


ASSEMBLY INSTRUCTIONS

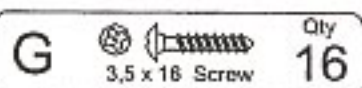
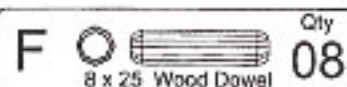
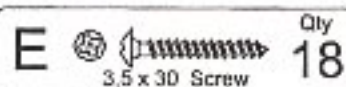
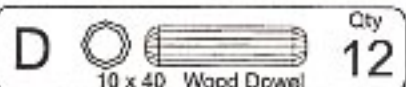
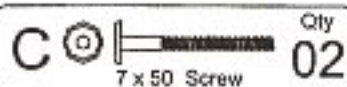
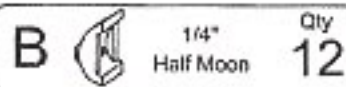
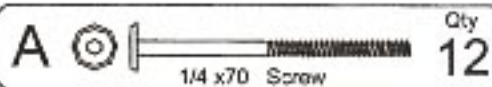
TB200 TRUNDLE BED



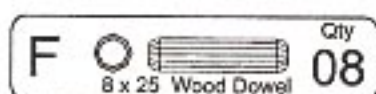
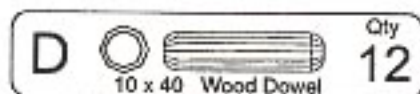
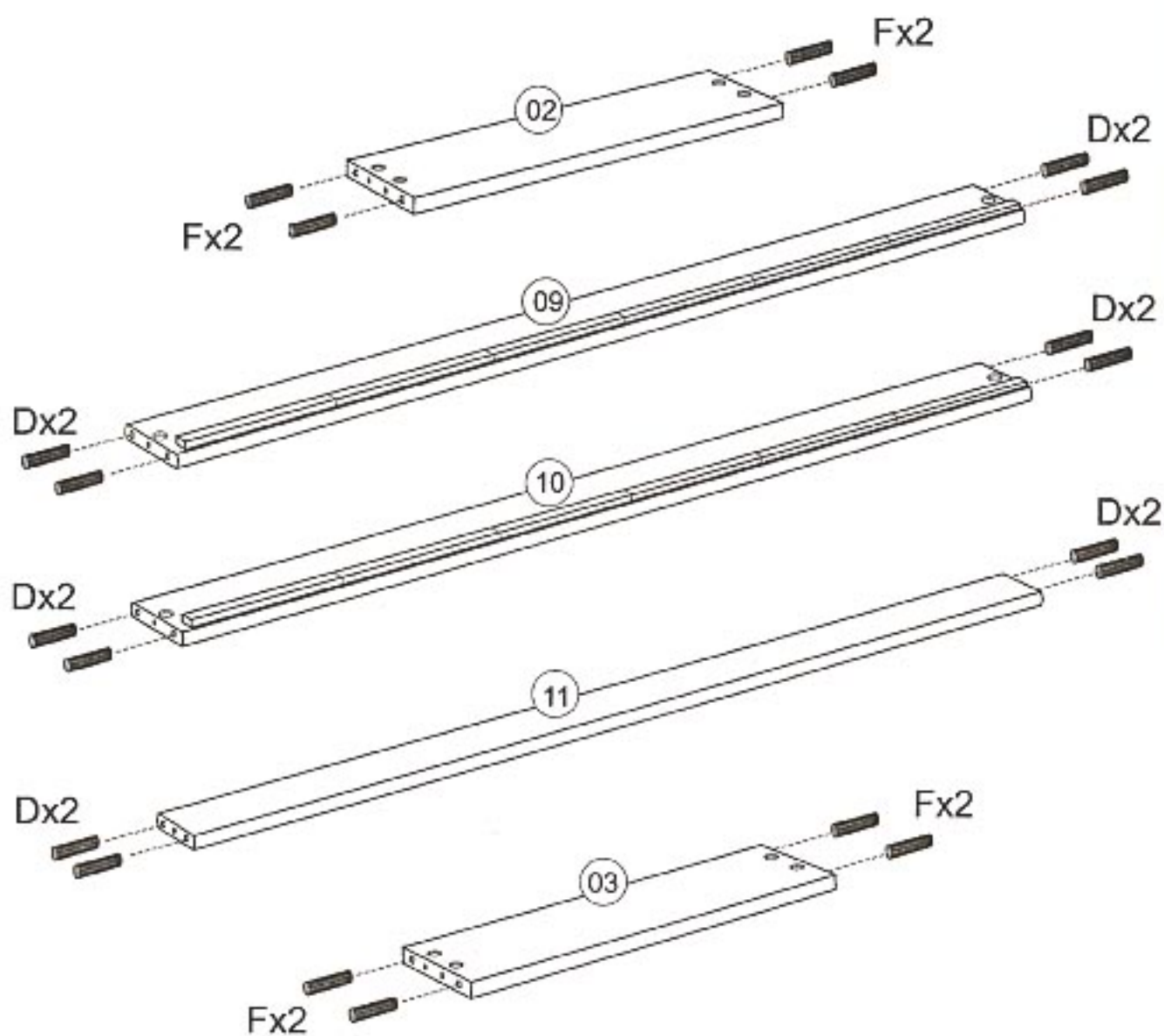
Part List - DAY BED



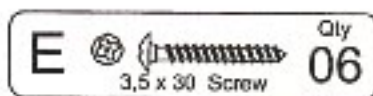
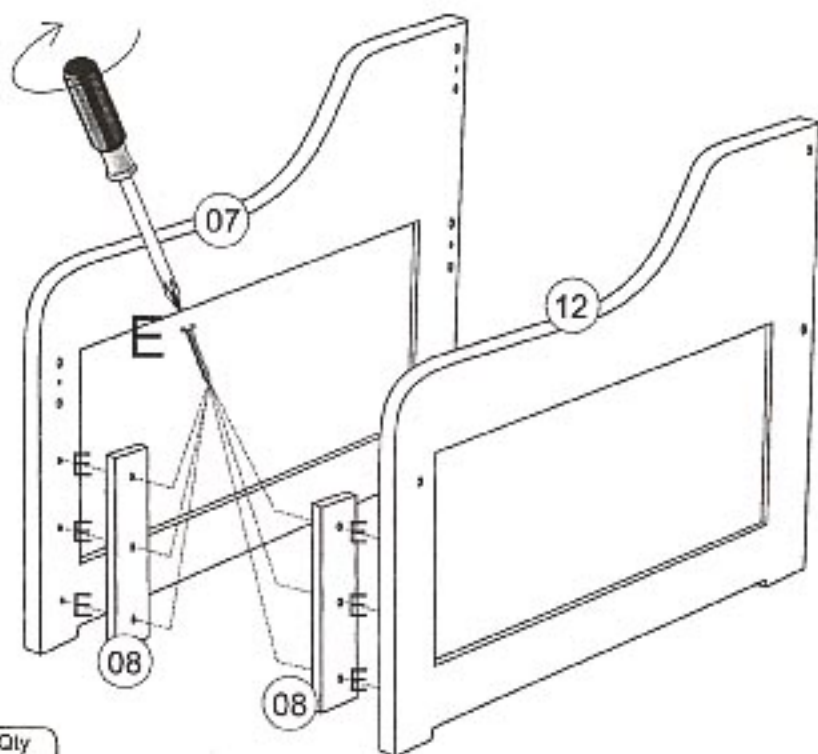
Identifying the Hardware- Identify the hardware using the illustrations below.



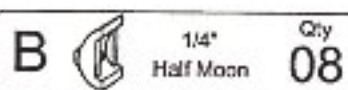
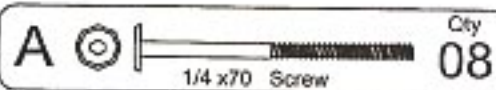
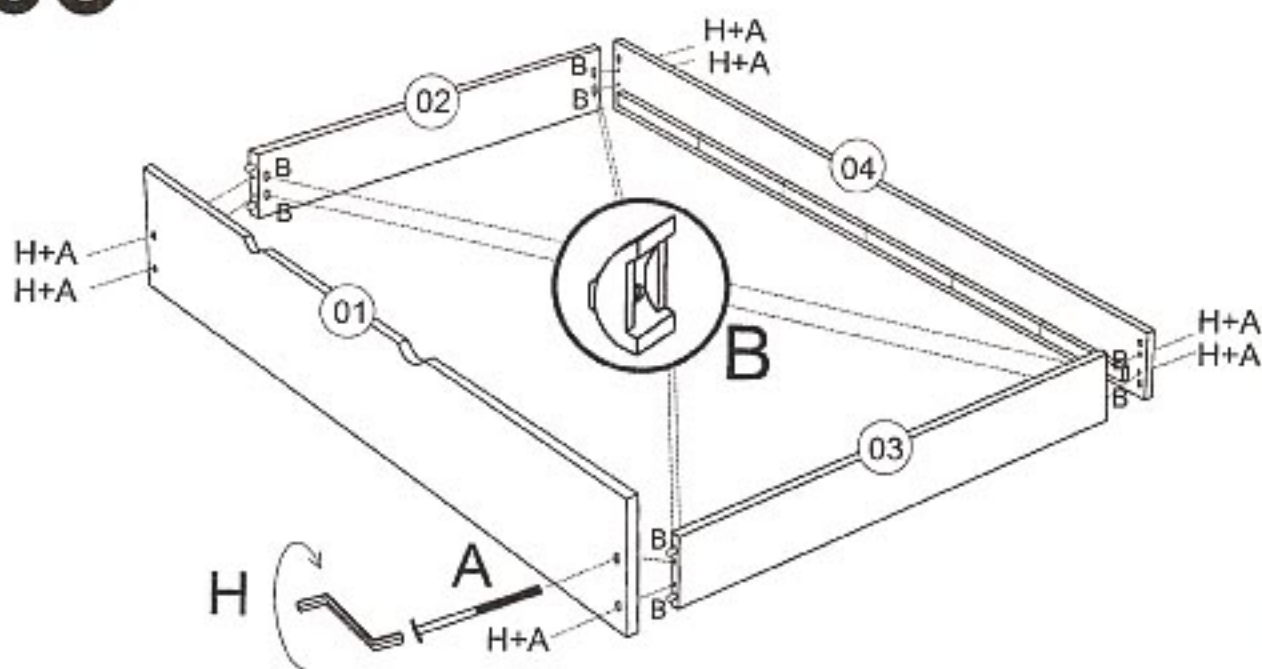
01



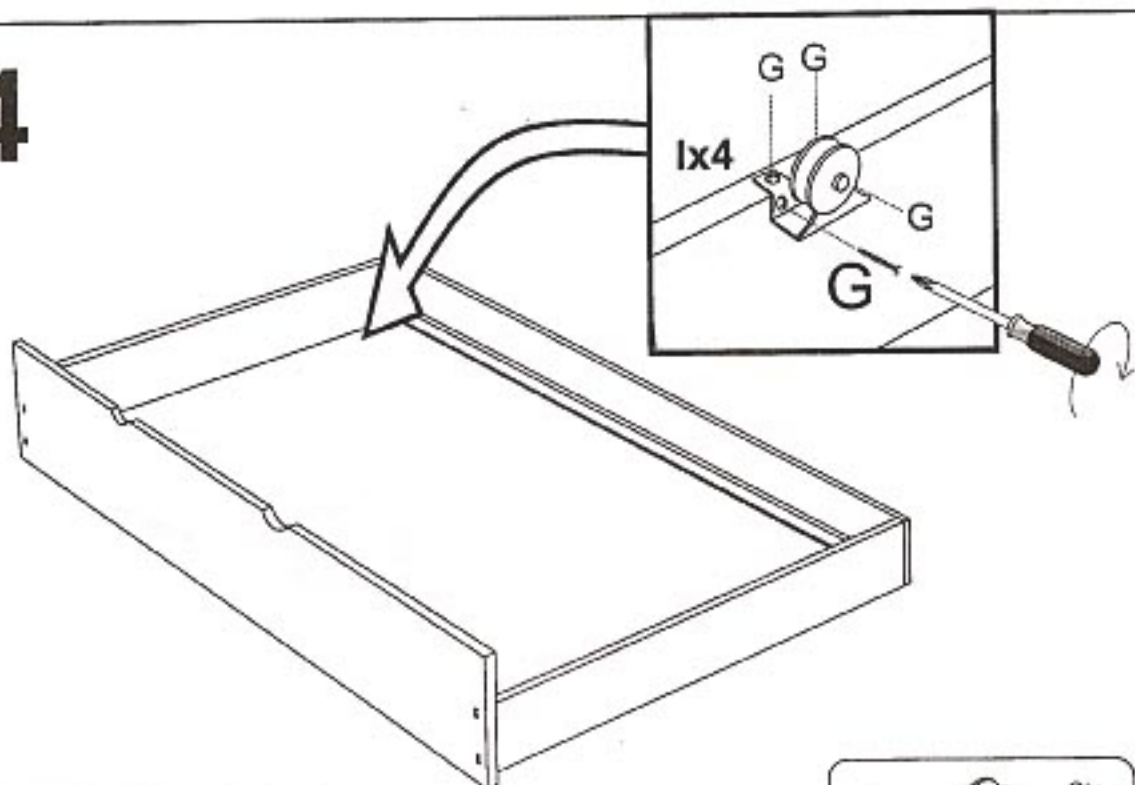
02




03



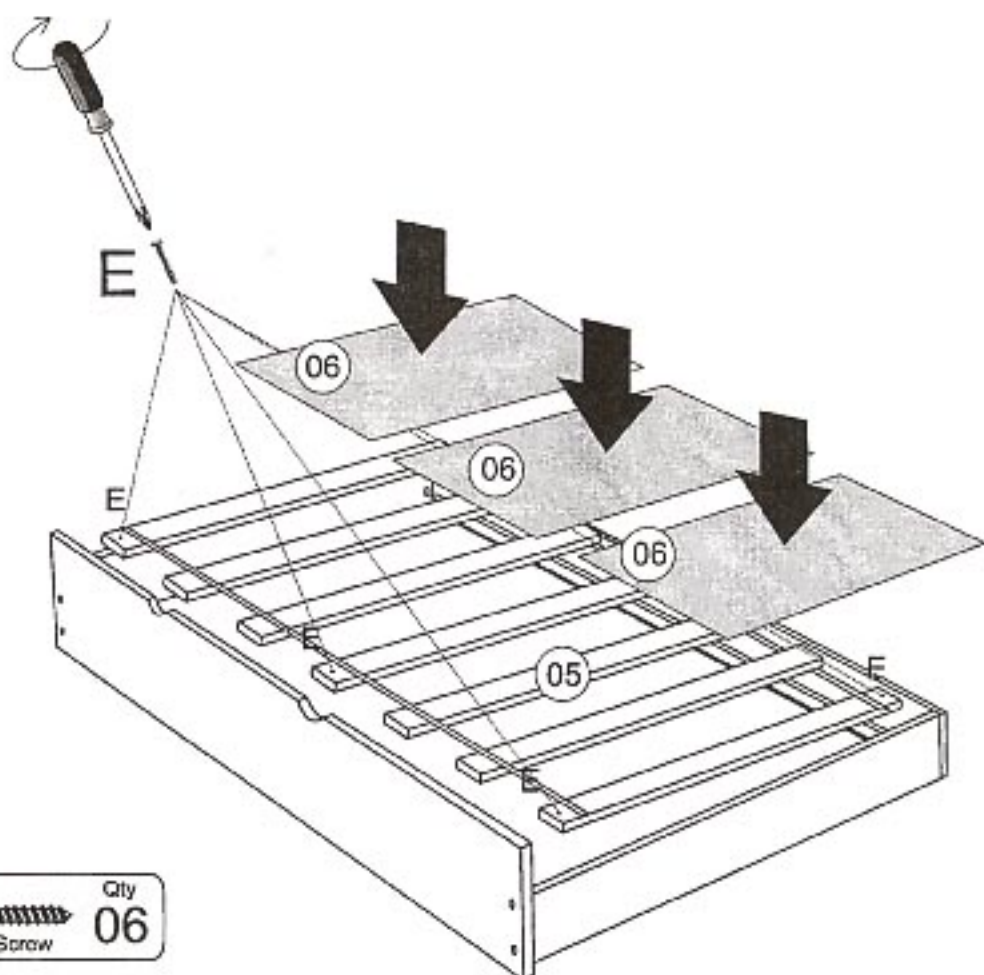
04



G  Qty 16
3,5 x 16 Screw

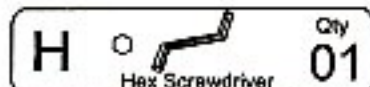
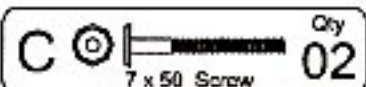
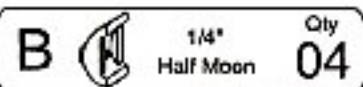
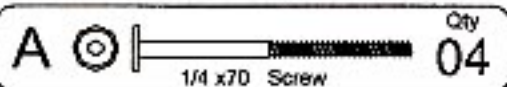
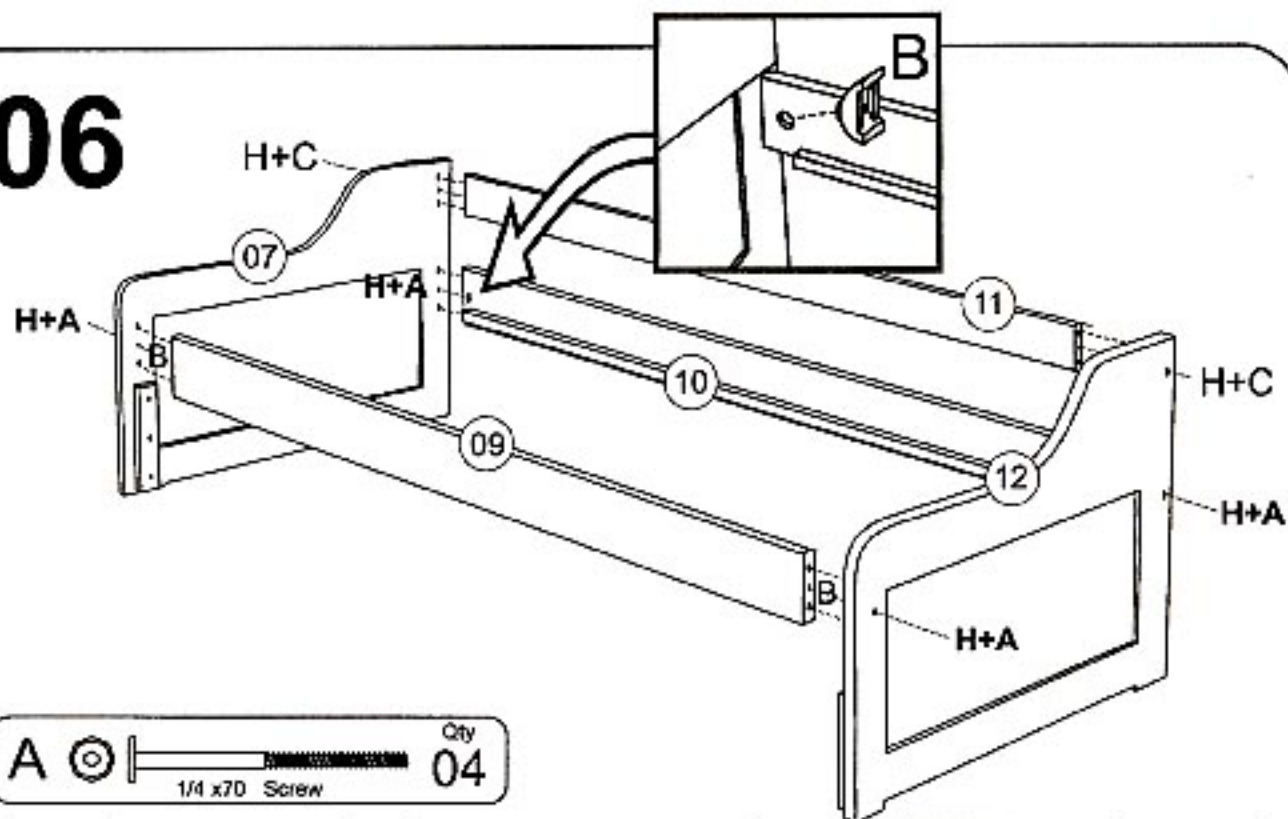
I  Qty 04

05

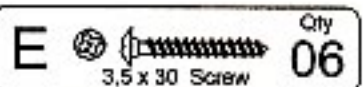
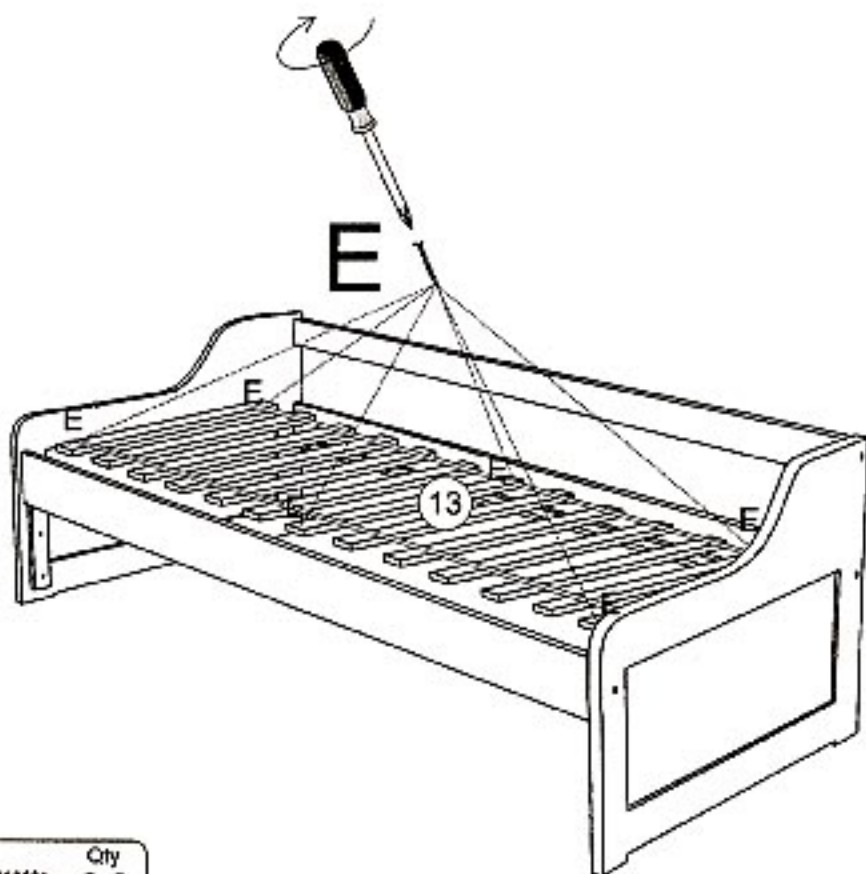


E  Qty 06
3,5 x 30 Screw

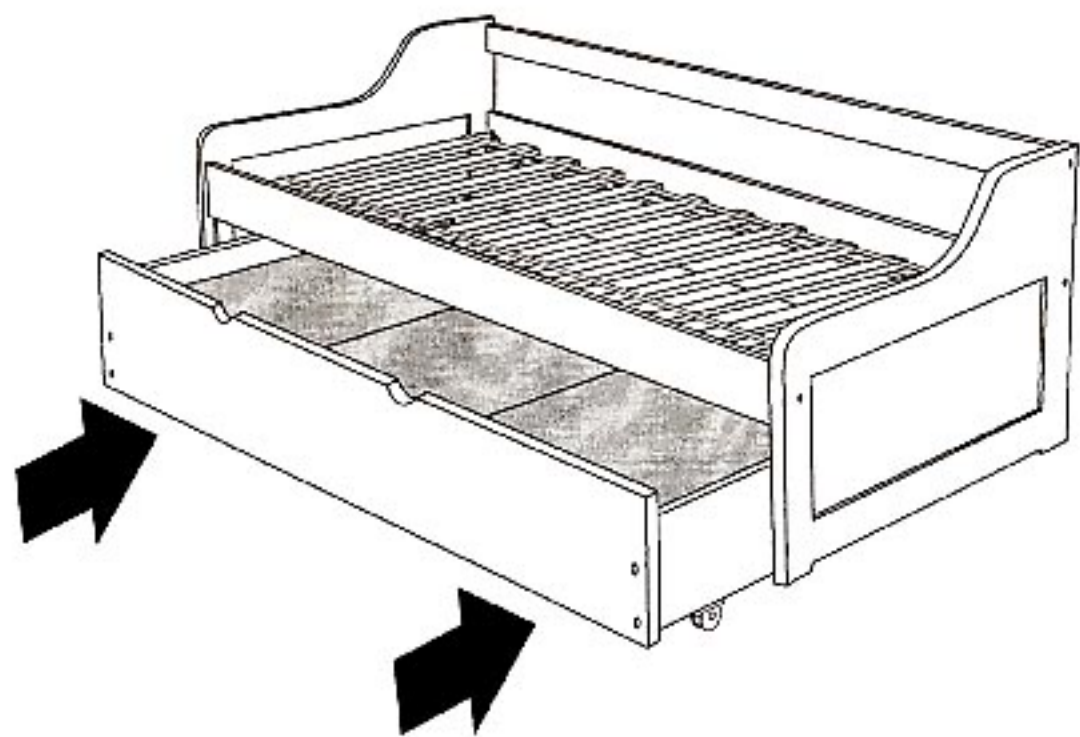
06



07

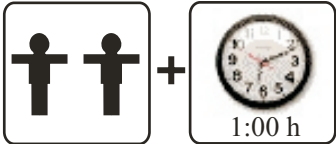
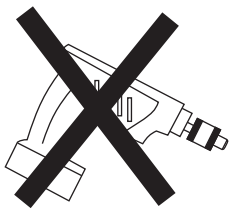
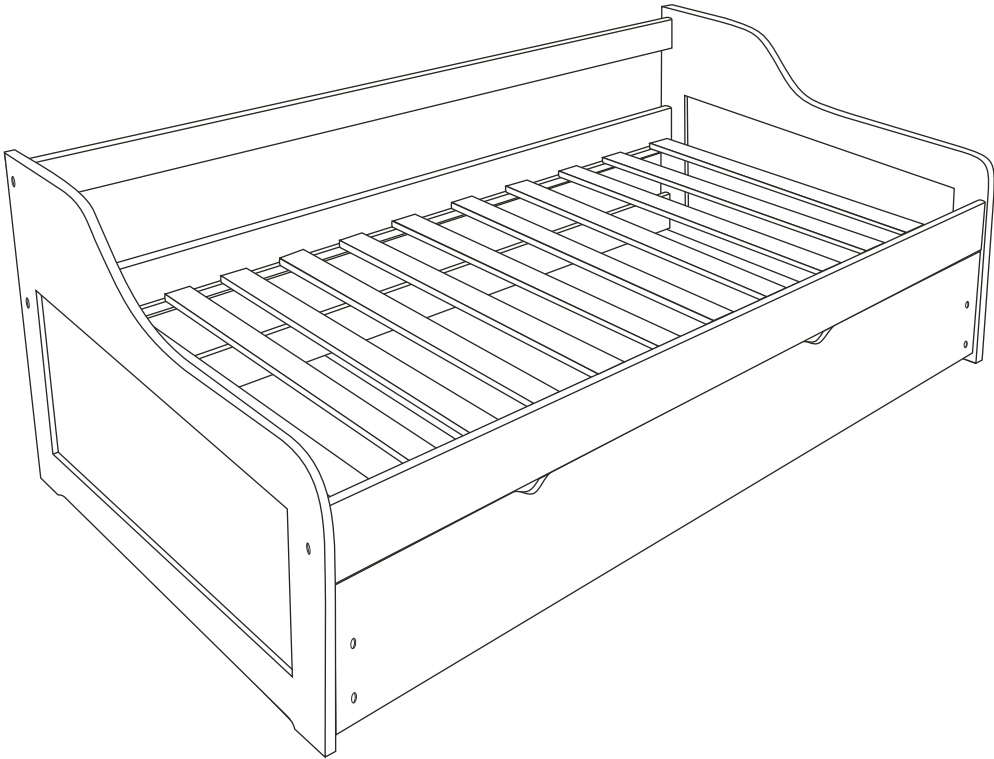


08

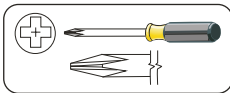


ASSEMBLY INSTRUCTIONS

TB200 TRUNDLE BED

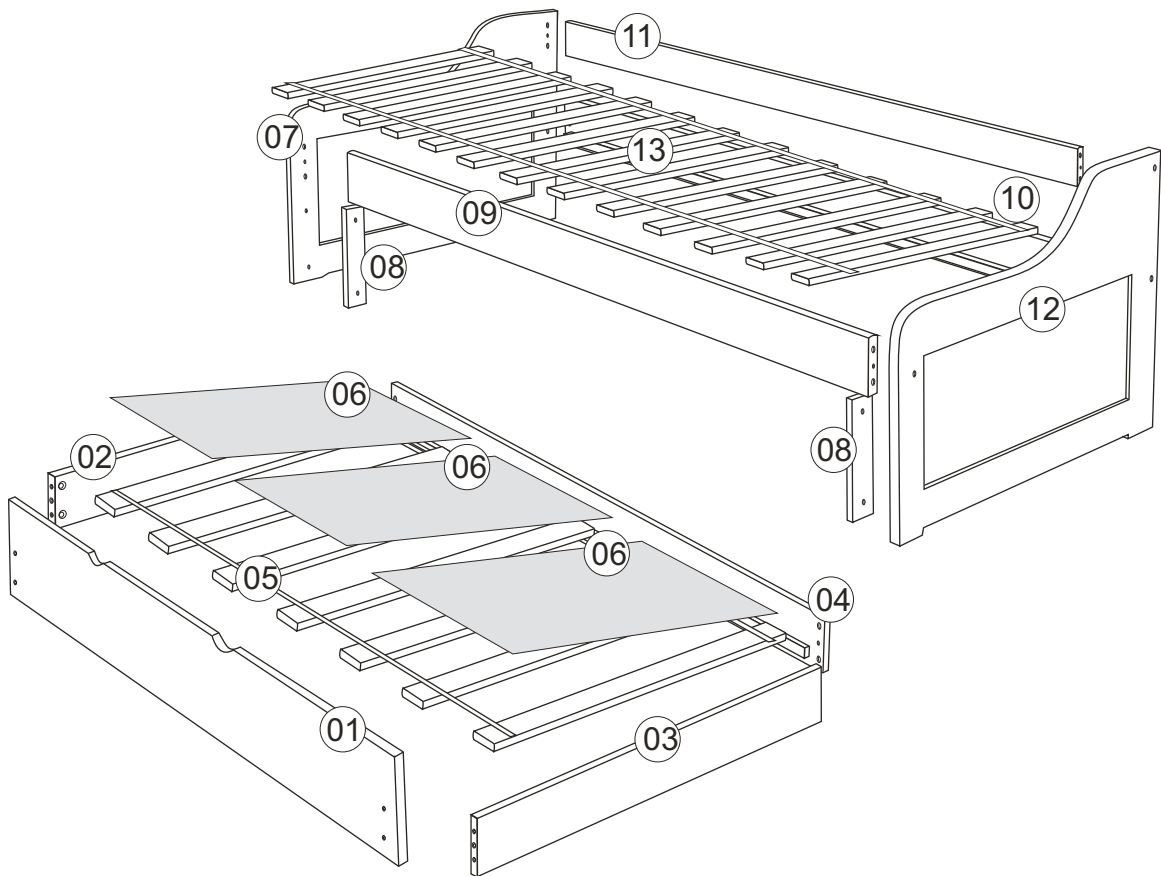


Tools Required

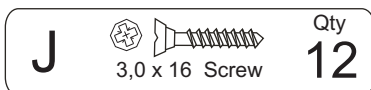
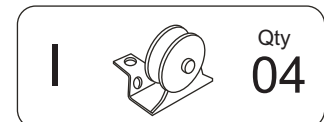
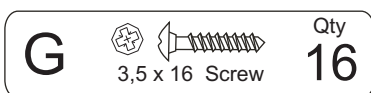
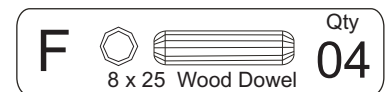
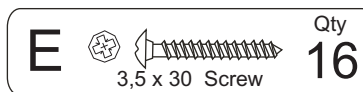
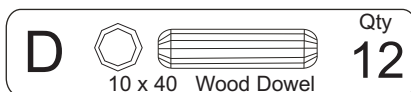
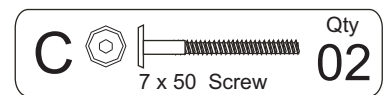
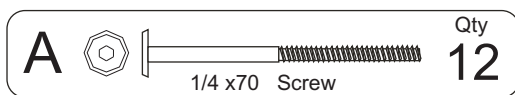


(Not includ)

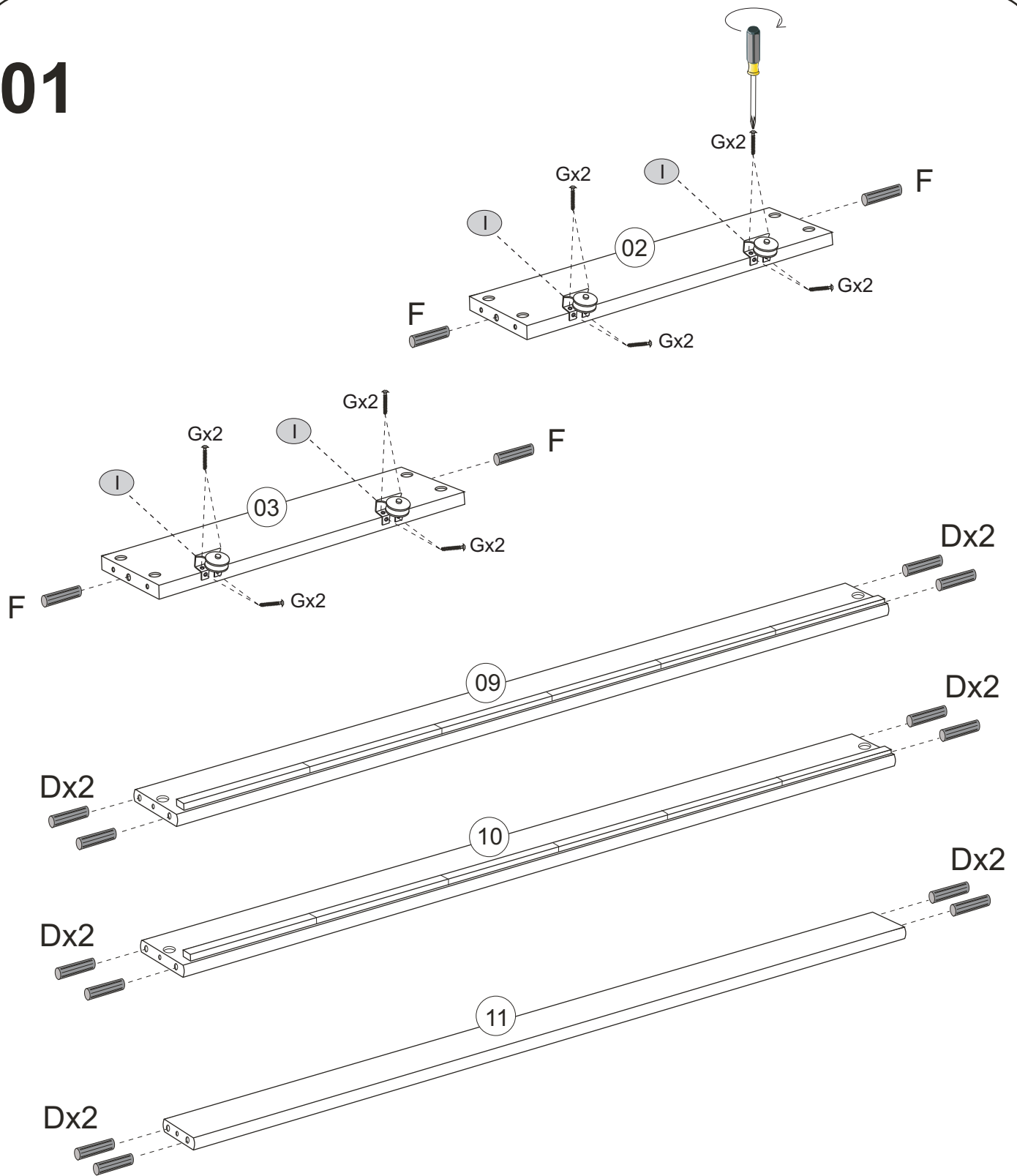
Part List - TB 200 TRUNDLE BED

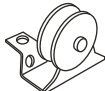


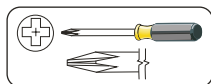
Identifying the Hardware- Identify the hardware using the illustrations below.




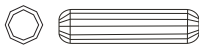
01

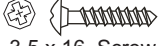


I  Qty **04**

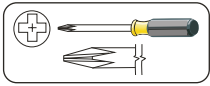
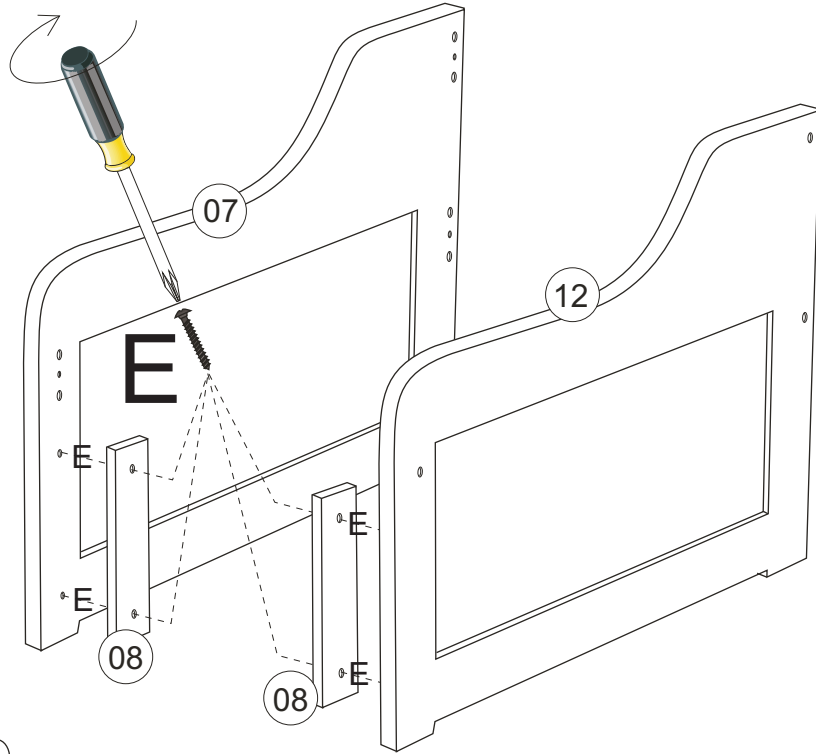



D  Qty **12**
10 x 40 Wood Dowel

F  Qty **04**
8 x 25 Wood Dowel

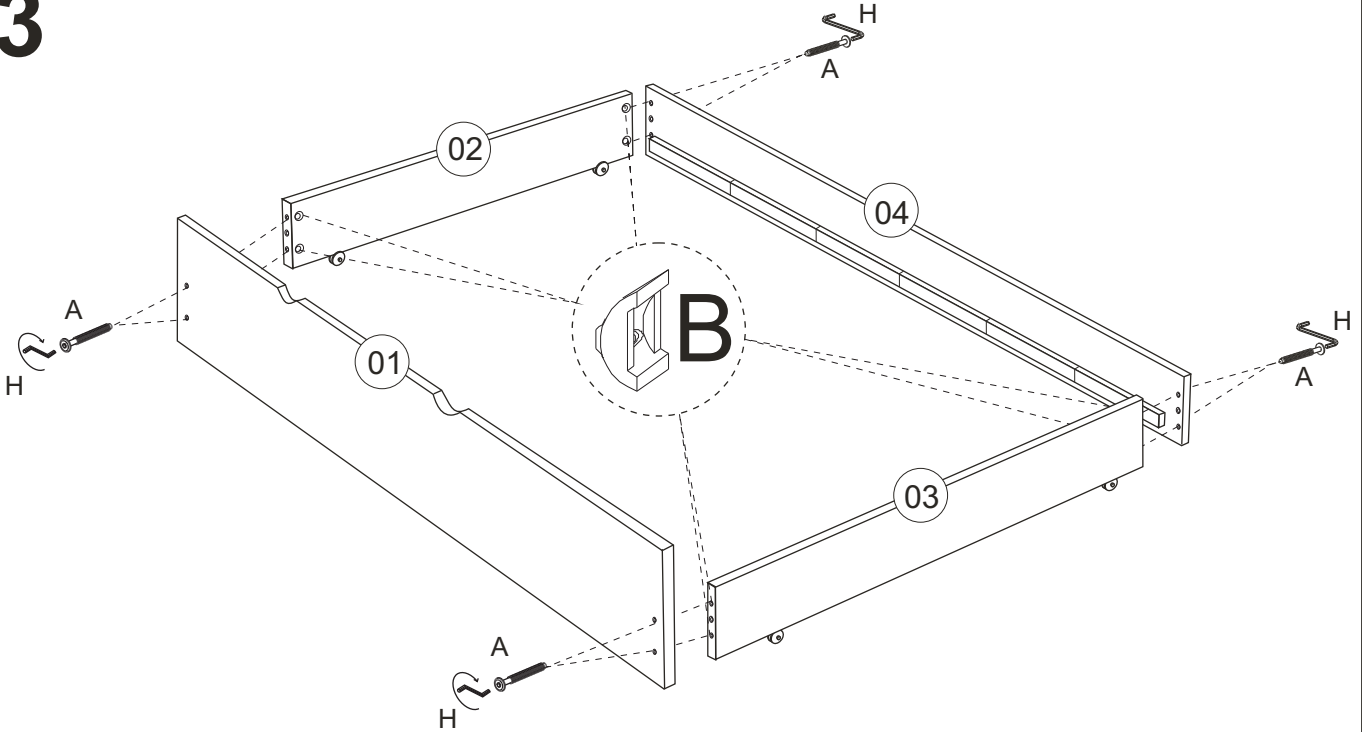
G  Qty **16**
3,5 x 16 Screw


02



E  Qty **04**
3,5 x 30 Screw

03

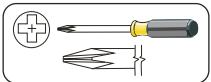
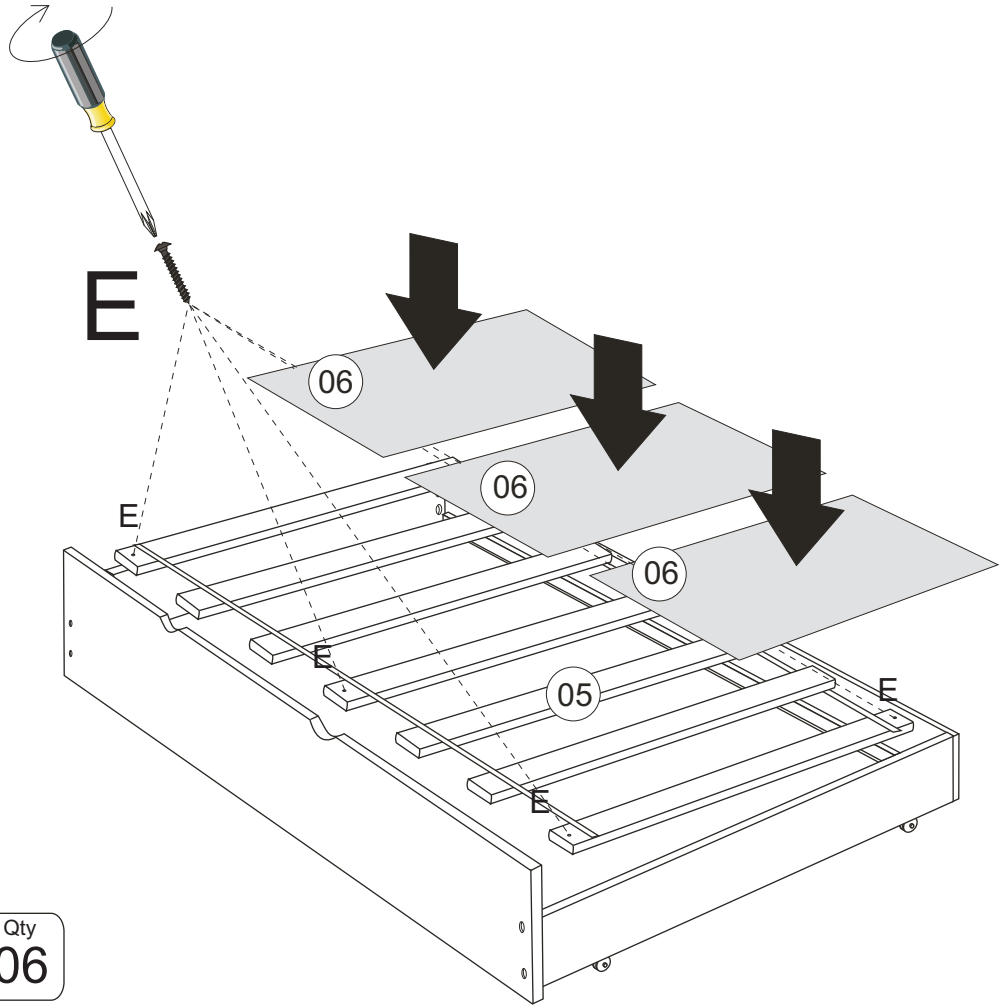



A  Qty **08**
1/4 x 70 Screw

B  1/4" Half Moon Qty **08**

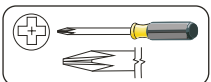
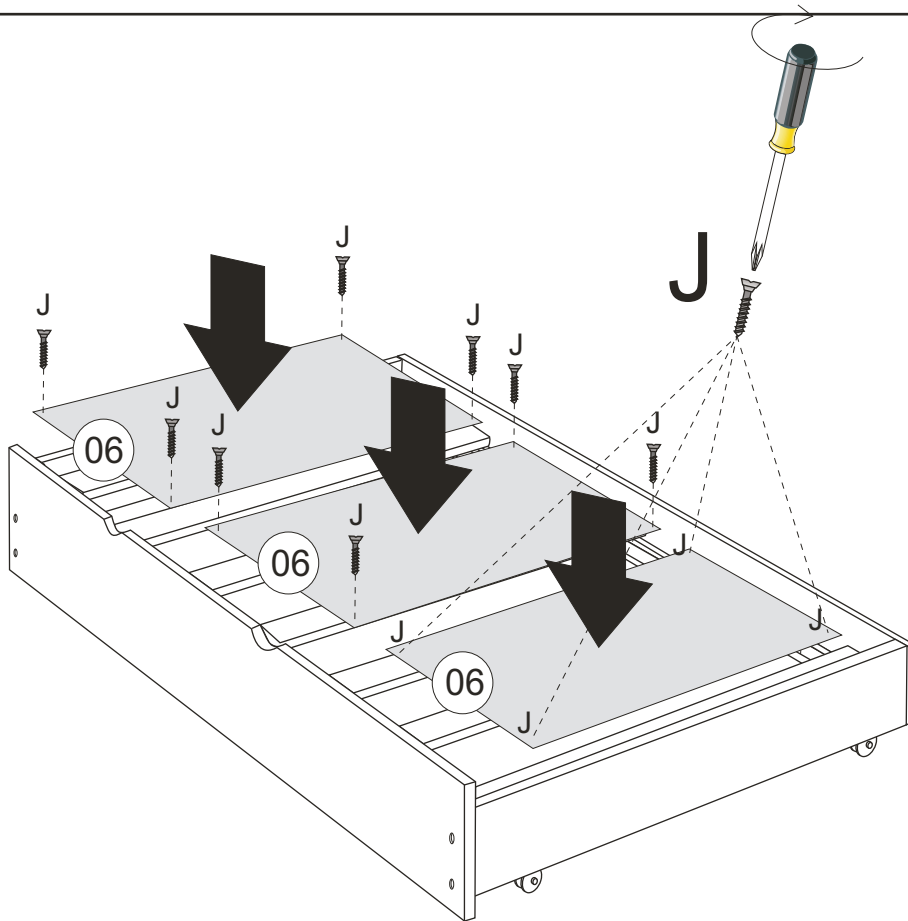
H  Qty **01**
Hex Screwdriver


04



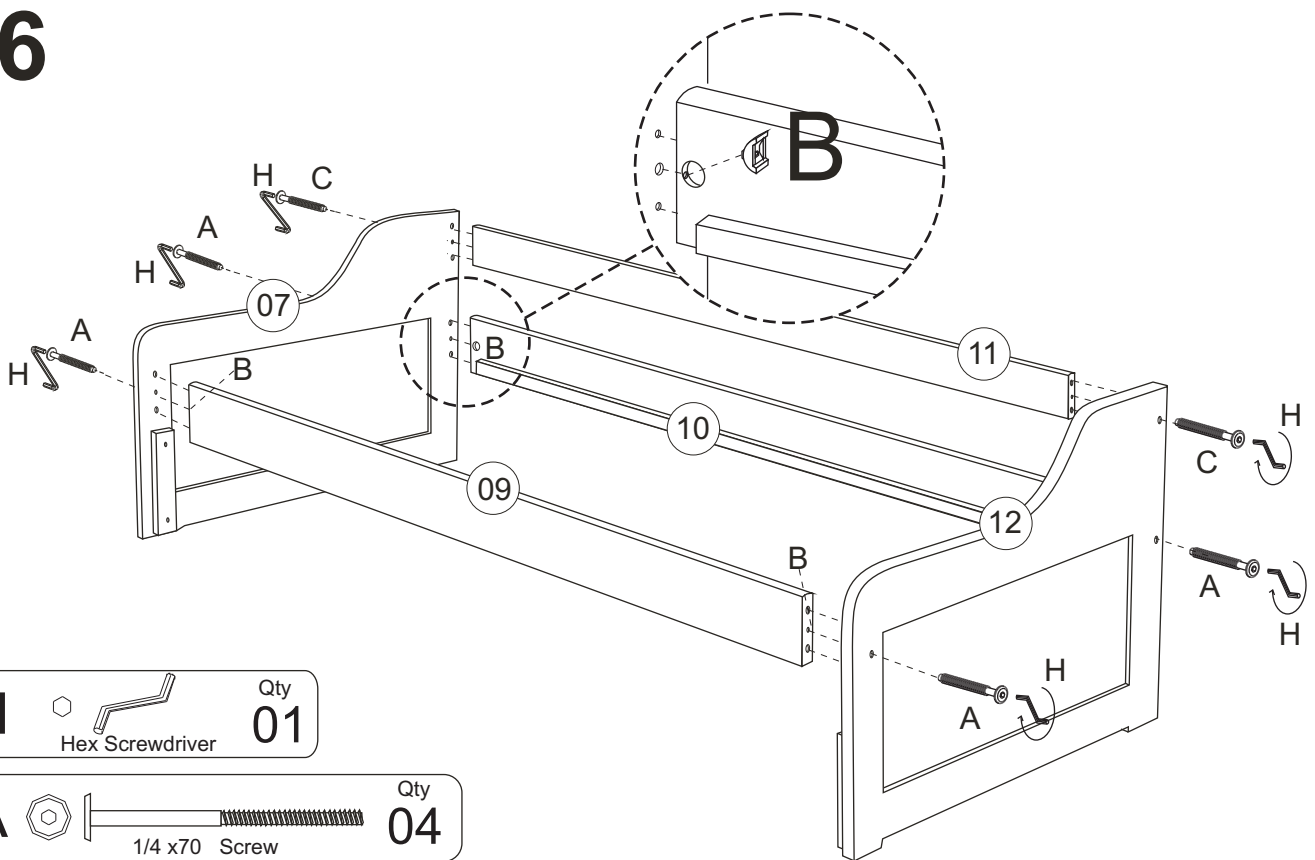
E  Qty **06**
3,5 x 30 Screw

05

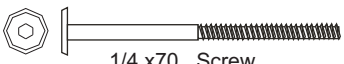


J  Qty **12**
3,0 x 16 Screw


06



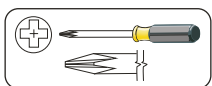
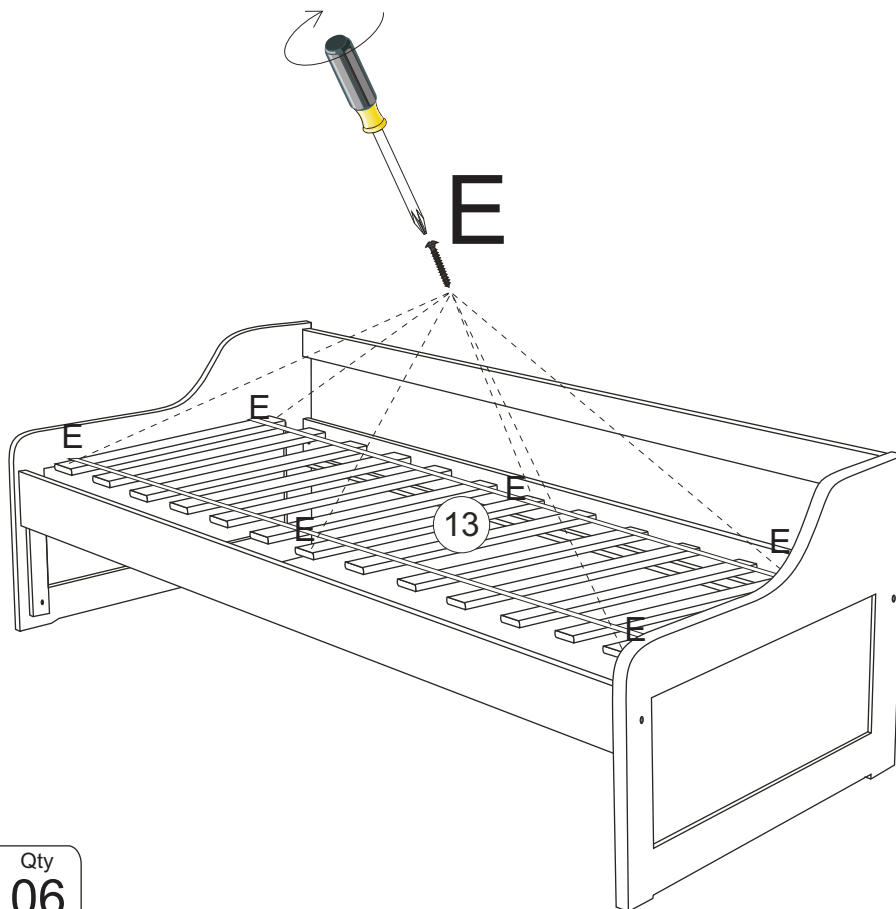
H  Qty **01**
Hex Screwdriver


A  Qty **04**
1/4 x 70 Screw

B

C  Qty **02**
7 x 50 Screw

07



E  Qty **06**
3,5 x 30 Screw

08

