



1.888.880.4884

Assembly Instructions

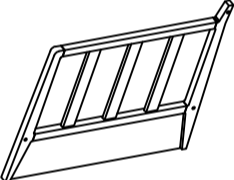
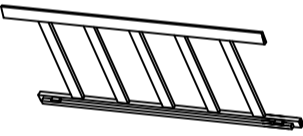

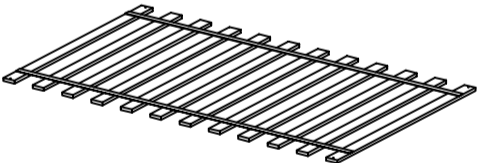
ITEM Number : SHU001-1

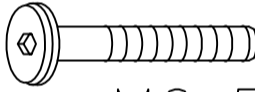


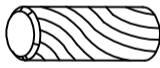
Product Name: Easton Day Bed

PRE-ASSEMBLY PREPARATION:

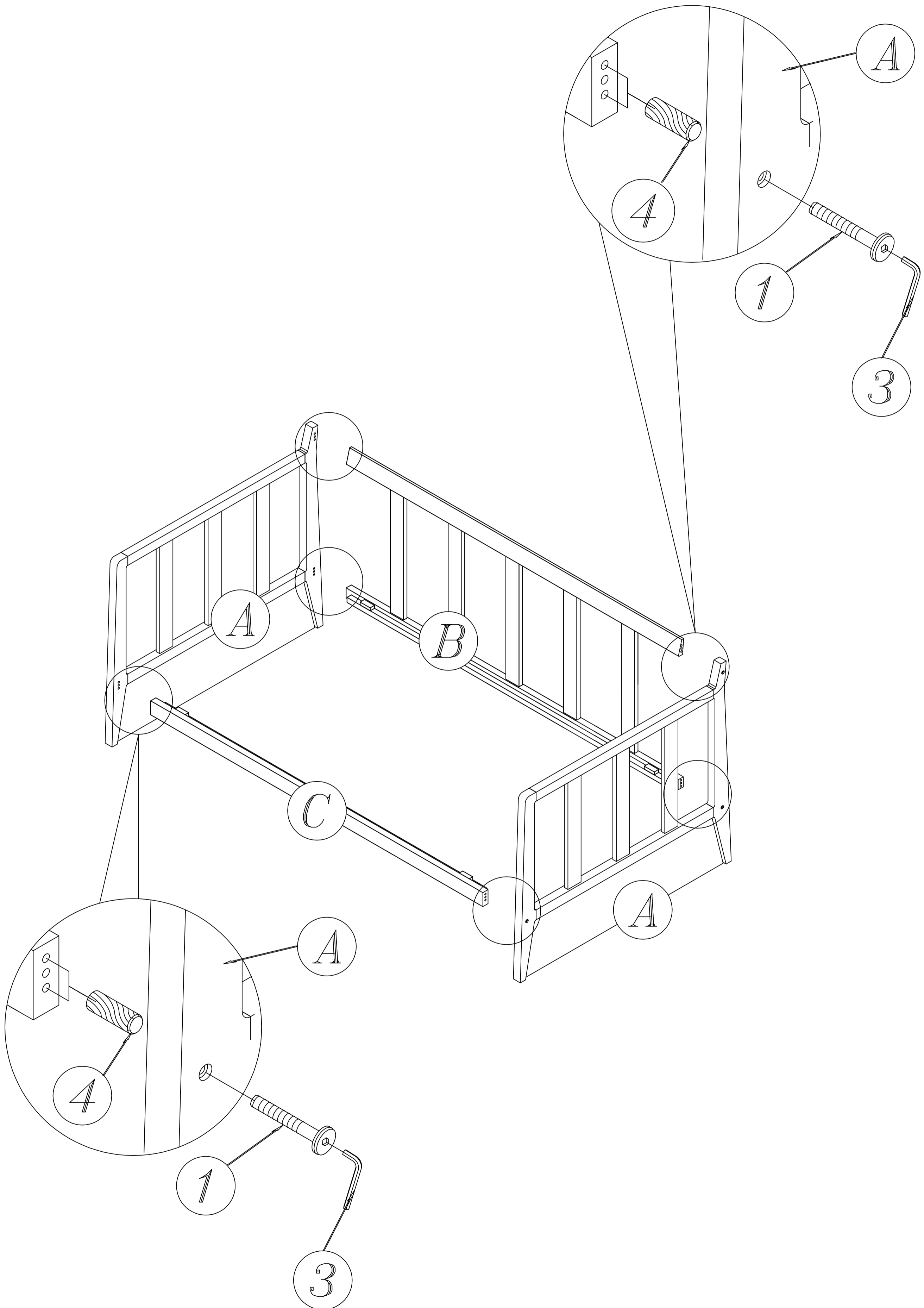
- Insert applicable notes on checking carton for all necessary parts before beginning assembly.
- Any caution statements or comments on one or two people recommended for assembly.
- If small parts are present in the packaging. We must include a warning on keeping small parts away from children.

Panel and Fittings Identification: <Section for parts images and numbering/naming convention>

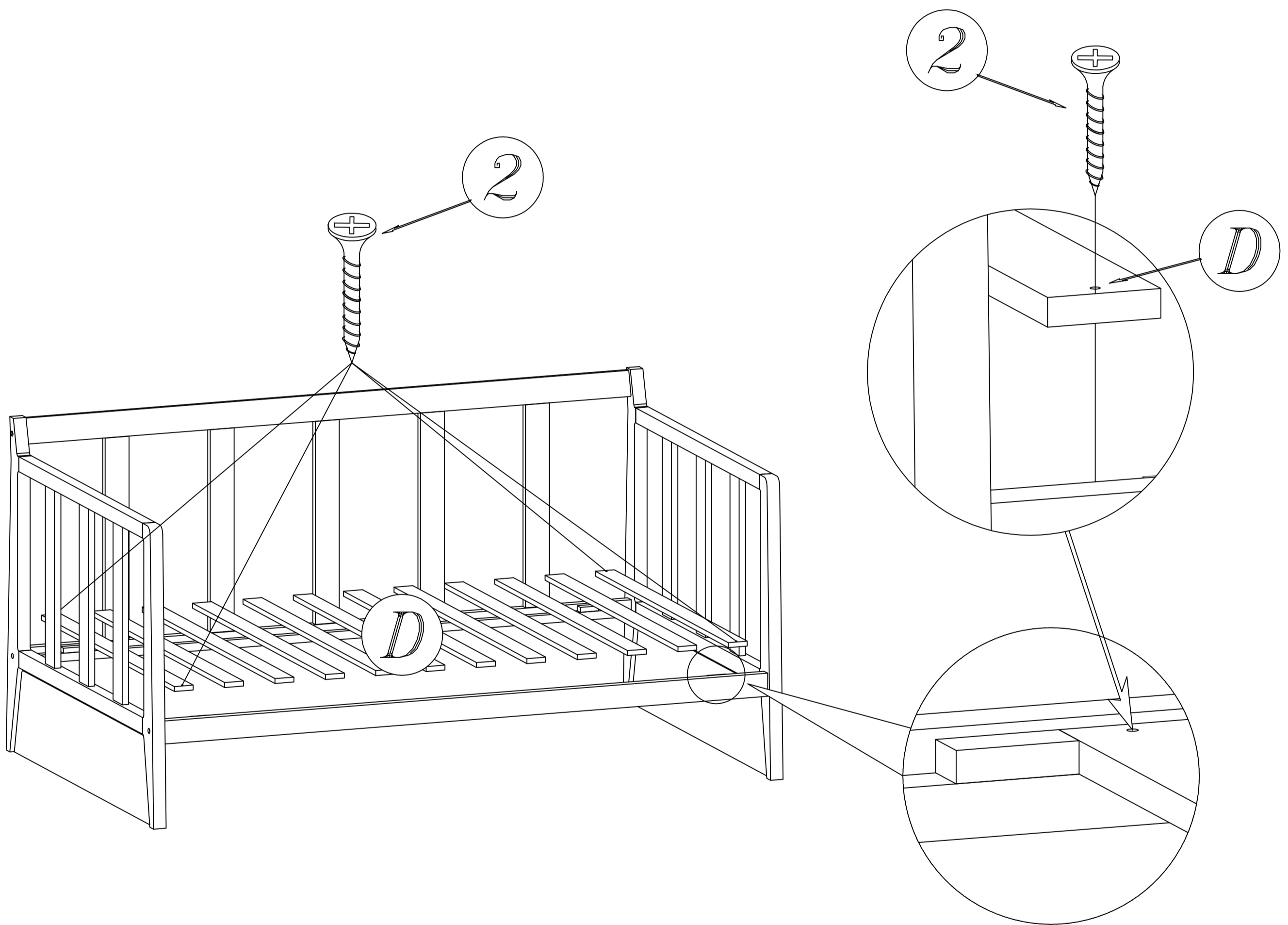
| NO | PARTS | QTY |
|----|---|------|
| A |  | 2PCS |
| B |  | 1PC |
| C |  | 1PC |
| D |  | 1PC |

| NO | FIGURE | QTY |
|----|--|-------|
| 1 |  M6x55mm | 6PCS |
| 2 |  25mm | 4PCS |
| 3 |  | 1PCS |
| 4 |  8x35mm | 12PCS |

STEP 1



STEP 2



STEP 3

