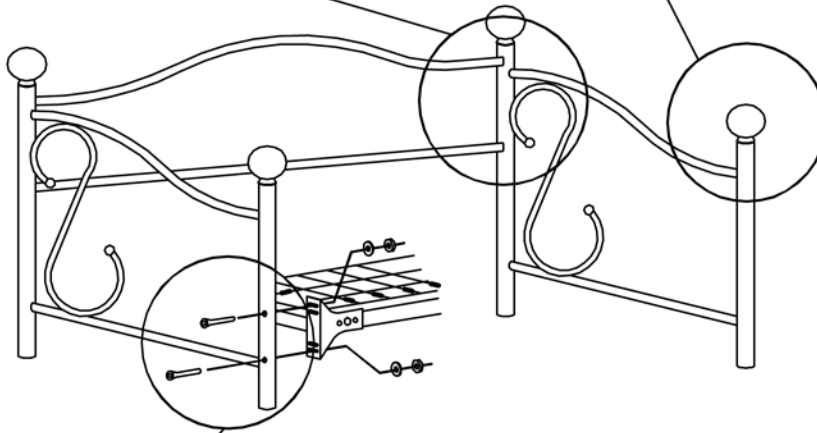


Instruction Sheet

TO ATTACH BACK TO SIDE
SEE STEP 1.

TO AATCH FINIALS TO LEGS
SEE STEP 3.



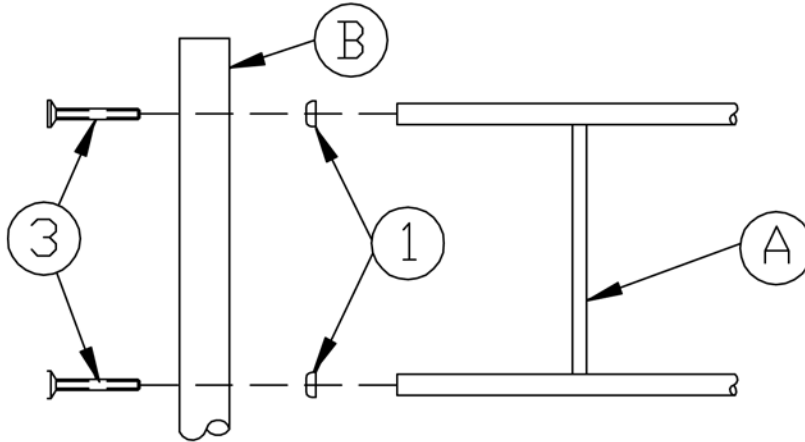
PLEASE READ COMPLETELY
BEFORE BEGINNING

TO ATTACH FRAME TO SIDES
SEE STEP 2.

NOTE: THE ABOVE DAYBED DRAWING IS GENERIC
AND TO BE USED AS A REFERENCE ONLY

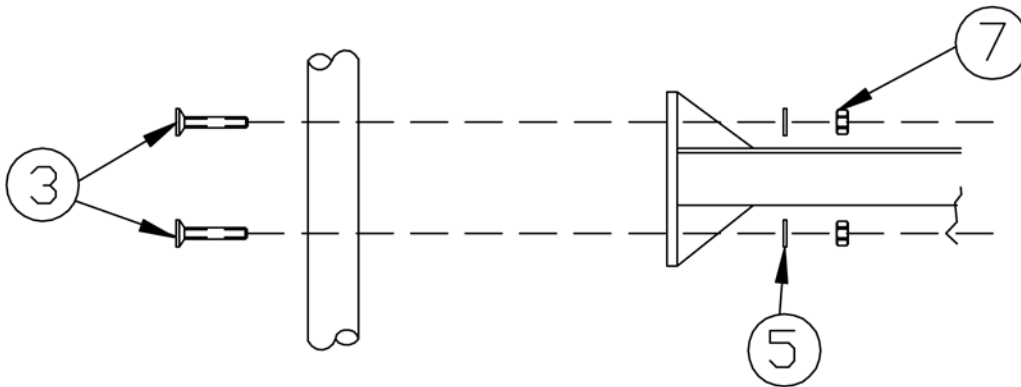
PLEASE READ COMPLETELY
BEFORE BEGINNING

Instruction Sheet



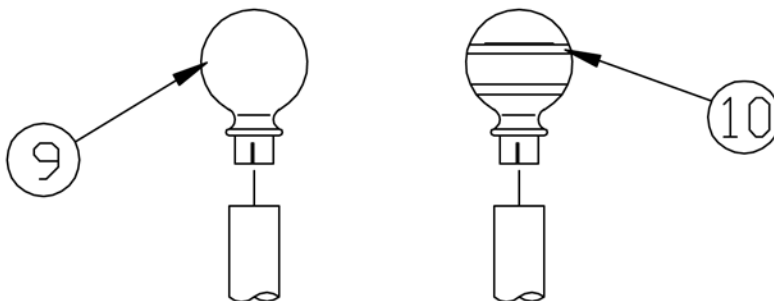
STEP 1: TO ATTACH SIDES TO BACK

- A: Place check ring (1) over one end of top and bottom rails of back (A).
B: Align back (A) with top holes in back leg of side (B), and secure with screws (3).
C: Repeat above procedure for other side.



STEP 2: TO ATTACH FRAME TO DAYBED SIDE

- A: Align the bottom hole in frame with the bottom hole in BACK leg of daybed side, loosely fasten with screw (3), metal washer (5), and nut (7). Repeat this procedure for other side.
B: Raise the front of the frame and align with holes in front leg, loosely fasten with screw (3), washer (5), and nut (7). Finish attaching frame to back legs with remaining screw, washers, and nut.



STEP 3: TO ATTACH FINIALS TO LEGS

- A: To attach ball finials (9), position over top of leg and press downward.
B: To attach ceramic finial (10) follow above STEP A, WARNING: DO NOT OVER TIGHTEN OR PRESS CERAMIC FINIAL TOO HARD, THIS MAY CAUSE IT TO BREAK.

Instruction Sheet

NOTE: IF DAYBED WAS PREVIOUSLY ASSEMBLED REMOVE EXISTING FINIALS.

SHORT CANOPY POSTS ATTACH TO DAYBED BACK POSTS,
AND LONG CANOPY POSTS ATTACH TO DAYBED FRONT POSTS.

STEP #1 PUSH FINIALS INTO TOP OF EACH CANOPY POST. SLIDE REDUCED END OF CANOPY POST INTO DAYBED SIDE POSTS, ALIGNING UPPER HOLES (IN CANOPY POST) TO DAYBED BACK PANEL. LOWER HOLES SHOULD BE ALIGNED WITH SIDE PANELS. (SEE DETAIL 1).

ASSISTANCE OF ANOTHER PERSON IS NECESSARY TO COMPLETE THE FOLLOWING STEPS.

STEP #2 ASSEMBLE STRAIGHT CROSS RAILS TO CANOPY POSTS BY INSERTING LONG SCREW THRU LOWER HOLES OF CANOPY POST INTO CROSS RAIL. (SEE DETAIL 2). REPEAT STEP ON OTHER POSTS.

STEP #3 ASSEMBLE BENT RAIL TO CANOPY POSTS BY INSERTING LONG SCREW THRU UPPER HOLE OF CANOPY POST INTO BENT RAIL. (SEE DETAIL 2). REPEAT STEP ON OTHER POSTS.

STEP #4 ASSEMBLE INNER RAILS TO BENT RAILS BY INSERTING SHORT SCREW THRU BENT RAIL INTO INNER RAIL. REPEAT STEP ON OTHER INNER RAILS. TIGHTEN ALL SCREWS SECURELY WHEN CANOPY ASSEMBLY IS COMPLETE.

