

# Fashion Bed Group

A Division of Leggett & Platt Incorporated

## Parts List For Caroline Daybed

### PART #318401 HARDWARE BAG FOR DAYBED FLINT

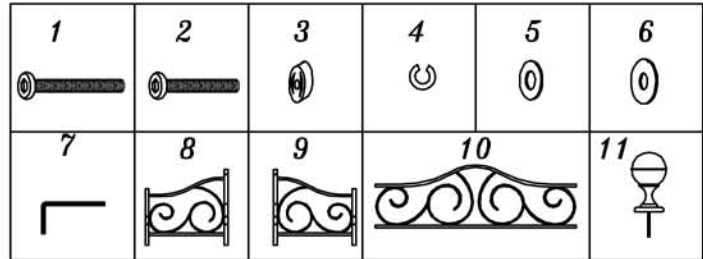
- (1) 1/4-20 X 2 1/8" COUNTERSUNK ALLEN HEAD SCREW-4 BLACK
- (2) 1/4-20 X 1" FLAT ALLEN HEAD SCREW-8 BLACK
- (3) 13/16" ID SEATING RING-4 FLINT
- (4) 1/4" ID LOCK WASHER-8 BLACK
- (5) 5/8" OD METAL WASHER-8 BLACK
- (6) 7/8" OD RUBBER WASHER-8 BLACK
- (7) ALLEN WRENCH

### PART #318402 HARDWARE BAG FOR DAYBED WHITE

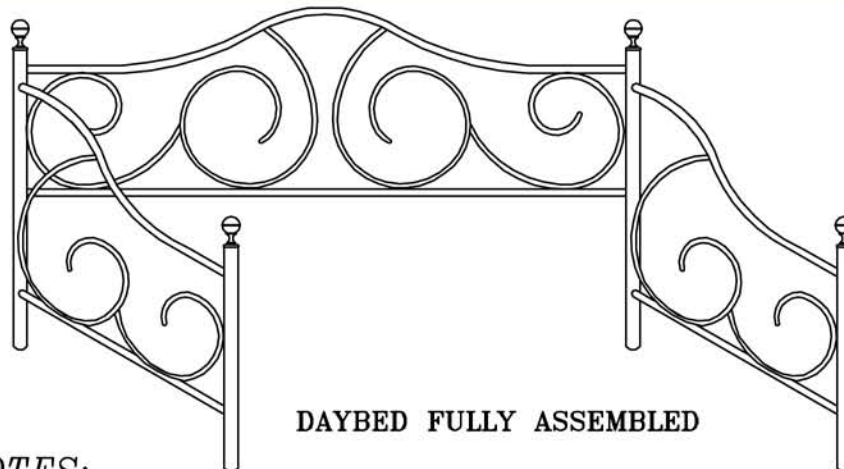
- (1) 1/4-20 X 2 1/8" COUNTERSUNK ALLEN HEAD SCREW-4 BRASS
- (2) 1/4-20 X 1" FLAT ALLEN HEAD SCREW-8 BRASS
- (3) 13/16" ID SEATING RING-4 BRASS
- (4) 1/4" ID LOCK WASHER-8 BRASS
- (5) 5/8" OD METAL WASHER-8 BRASS
- (6) 7/8" OD RUBBER WASHER-8 BRASS
- (7) ALLEN WRENCH

#### DAYBED PARTS:

- (8) LEFT SIDE-1
- (9) RIGHT SIDE-1
- (10) BACK GRILL-1
- (11) FINIAL-4(FLINT COLOR #318401151& WHITE COLOR #318401120)



SAVE ALL PACKAGING MATERIALS UNTIL PRODUCT IS FULLY ASSEMBLED. HARDWARE AND SMALL PIECES MAY NOT BE SEEN AND BE ACCIDENTALLY DISCARDED WITH PACKAGING MATERIALS.



DAYBED FULLY ASSEMBLED

### NOTES:

- For ease of assembly you will need a helper.
- Do not tighten all screws until the mattress support system and the back panel of the daybed have been assembled to the side arms.
- After assembly of the mattress support system and the back panel to the sides tighten all connections
- Periodically retighten all screws.

### Step 1

- Align rail ends of back grill (10) to holes in left side (8) back post. Place seating rings (3) between connection. (See Figure 1 & 2)
- Secure grill to post by using screw (1). DO NOT TIGHTEN SCREWS.
- Repeat same step for assembly of right side (9) back post to back panel. (See Figure 1 & 2)

### Step 2

- Bolt one end bracket of the mattress support system to one daybed side post.
- For each post use 2 screws (2), 2 lock washers (4), 2 metal washers (5) and 2 rubber washers (6). Loosely tighten (See Figure 3)
- Repeat on other daybed posts.
- Tighten all screws with Allen wrench.
- Screw in finials (11) onto top of posts. (See Figure 1 & 2)
- You are now ready for mattress installation.

# Instruction Sheet

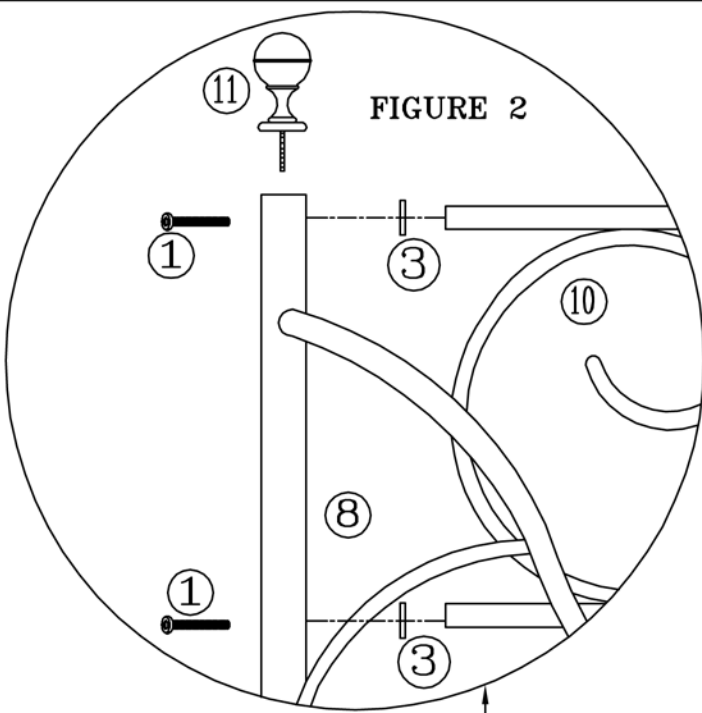


FIGURE 2

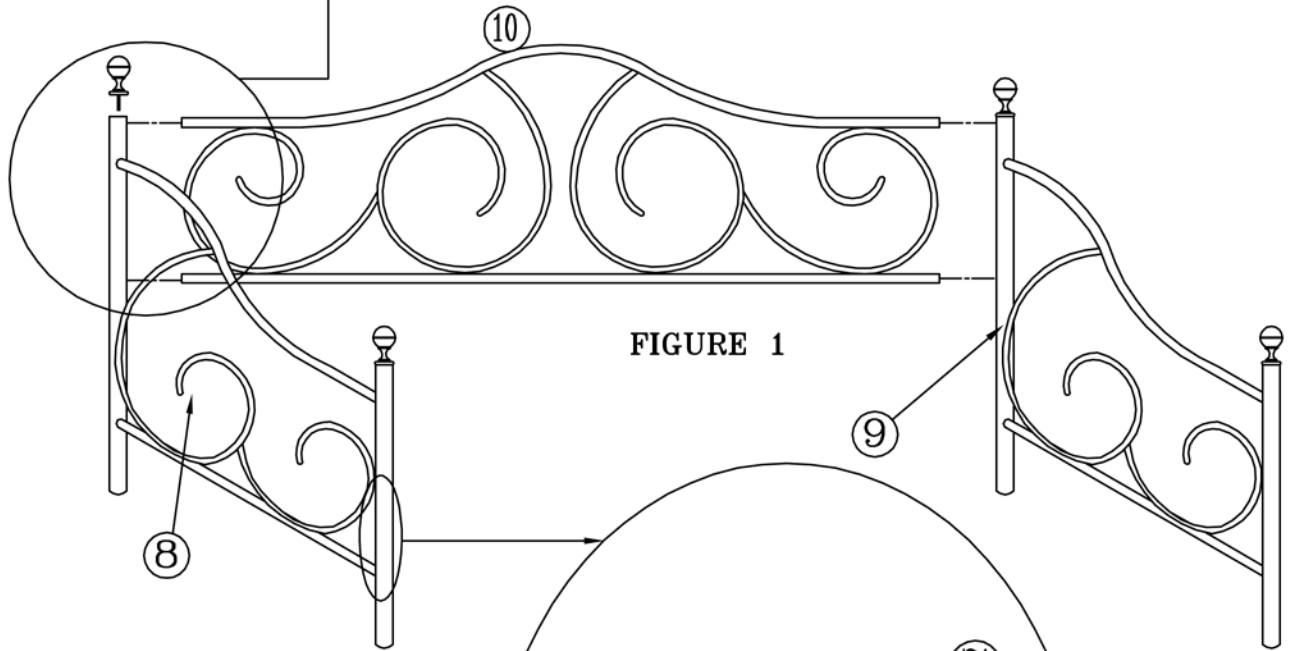


FIGURE 1

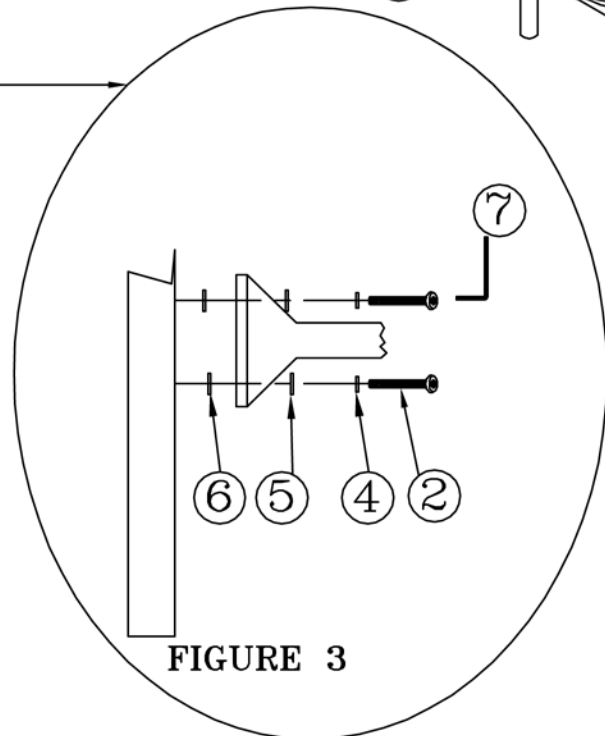


FIGURE 3