

Mullberry Daybed Parts List

PART #307401 HARDWARE BAG FOR DAYBED

- 1 (12) 1/4-20 1" ALLEN FLAT HEAD SCREWS
- 3 (8) METAL WASHERS 1/4"(ID)
- 4 (8) SPRING WASHERS 1/4"(ID)
- 5 (8) RUBBER WASHER
- 6 (1) ALLEN WRENCH 4mm

7 PART #3074111 FINIAL

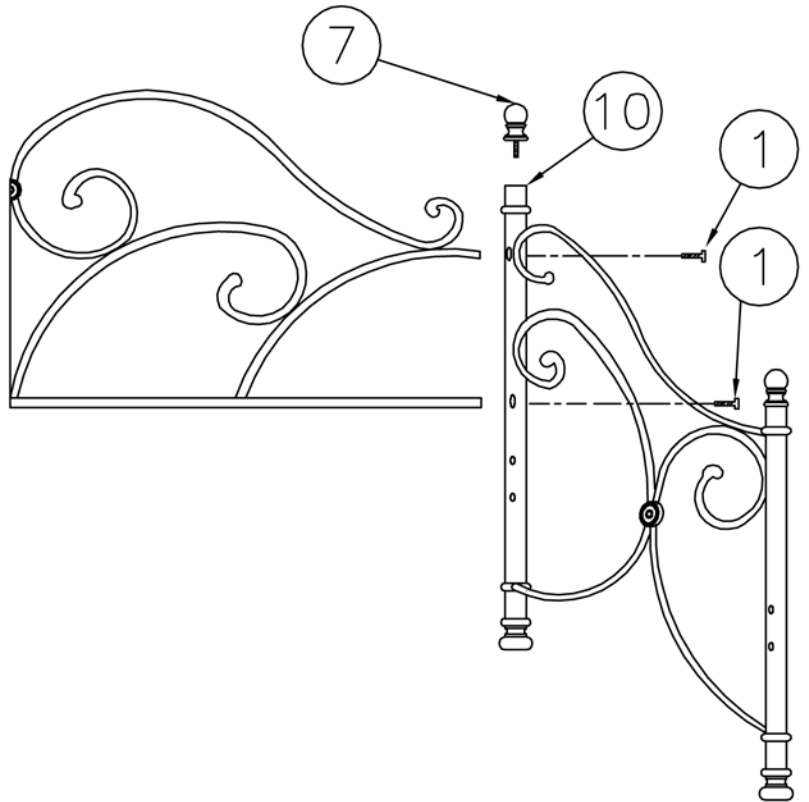
PART #307402 UNIVERSAL PLASTIC GLIDE (PRE-ASSEMBLE)

Instruction Sheet

ASSEMBLE BACK PANEL TO SIDE PANELS:

ALIGN BACK RAIL ENDS TO HOLES IN SIDE PANEL POST (10).

INSERT SCREWS (1) THRU HOLES ON OPPOSITE SIDE OF POST INTO RAILS END. REPEAT ON OTHER SIDE PANEL POST. DO NOT TIGHTEN SCREWS.

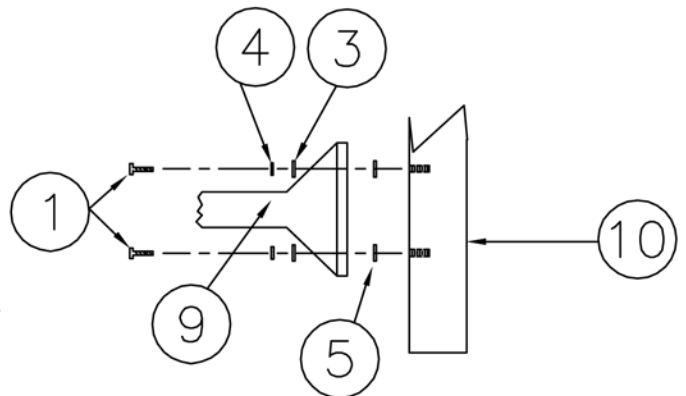


ASSEMBLE BRACKETS TO FRAME ACCORDING TO MANUFACTURER'S INSTRUCTIONS INCLUDED WITH FRAME.

ATTACH FRAME TO DAYBED.

INSERT SCREWS (1) THRU SPRING WASHER (4), METAL WASHER (3) AND INTO FRAME BRACKET (9). ALIGN SCREWS IN BRACKET TO HOLES IN POST (10). PLACE RUBBER WASHER (5) OVER THE SCREWS. SECURE SCREWS TO POST. REPEAT ON OTHER POSTS.

TIGHTEN ALL SCREWS SECURELY.

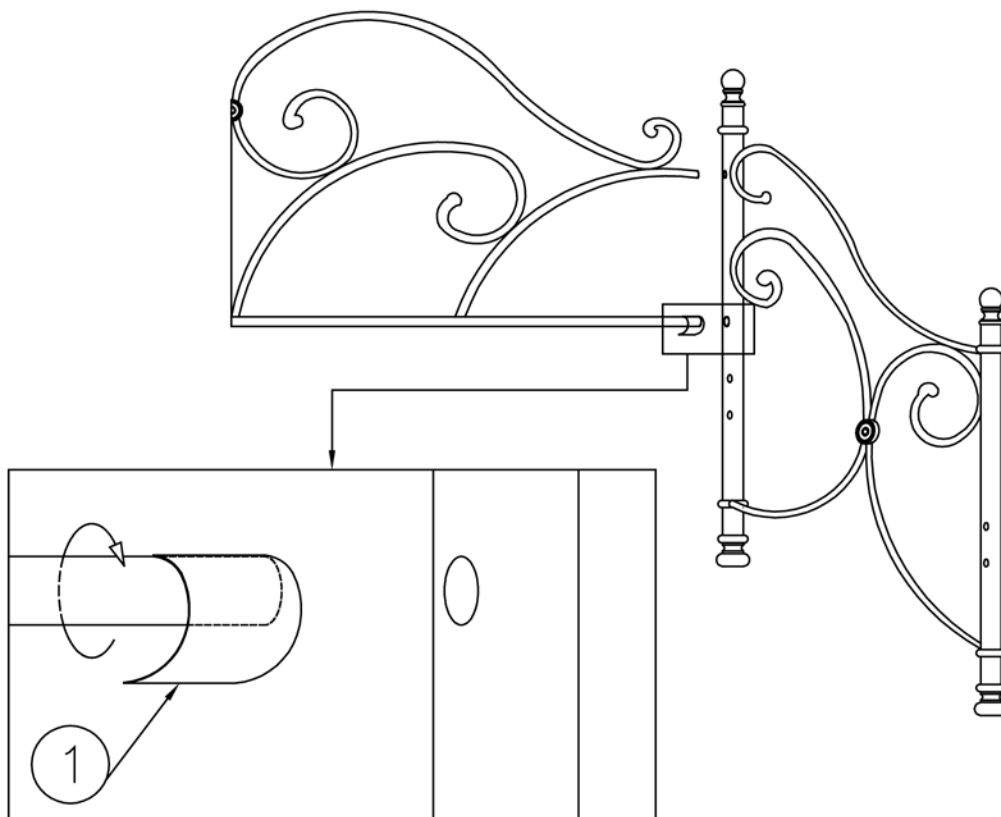
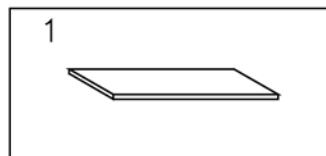


ASSEMBLE FINIALS TO POSTS:

SCREW FINIALS (7) INTO TOP OF POSTS.

Mullberry Daybed Parts List

(1) PROTECTIVE TAPE



PLACE TAPE (1) OVER THE END OF THE BOTTOM RAIL.