



# Winsloh Daybed

MODEL #123-01/123-02

TOOLS REQUIRED  
FOR ASSEMBLY  
Allen Wrench  
(Included)  
Adjustable Wrench  
(Not Included)  
08-09-01

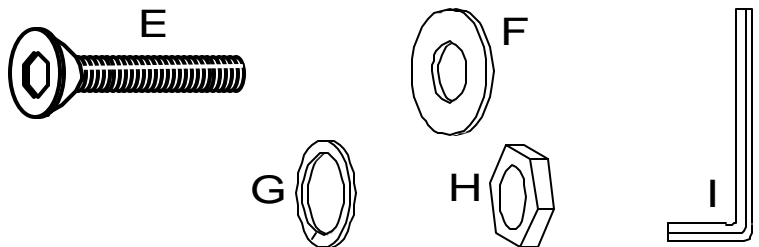
**UNLESS OTHERWISE STATED, PLEASE DO NOT TIGHTEN BOLTS (AND/OR) SCREWS UNTIL UNIT IS COMPLETELY ASSEMBLED ON A FLAT SURFACE.** Examine all packaging material for small parts that may have come loose during shipment. Periodic checks are recommended to insure that all components are in proper position, tight and free from damage. Keep this assembly instruction for future reference. Adult assembly required.

### PARTS LIST

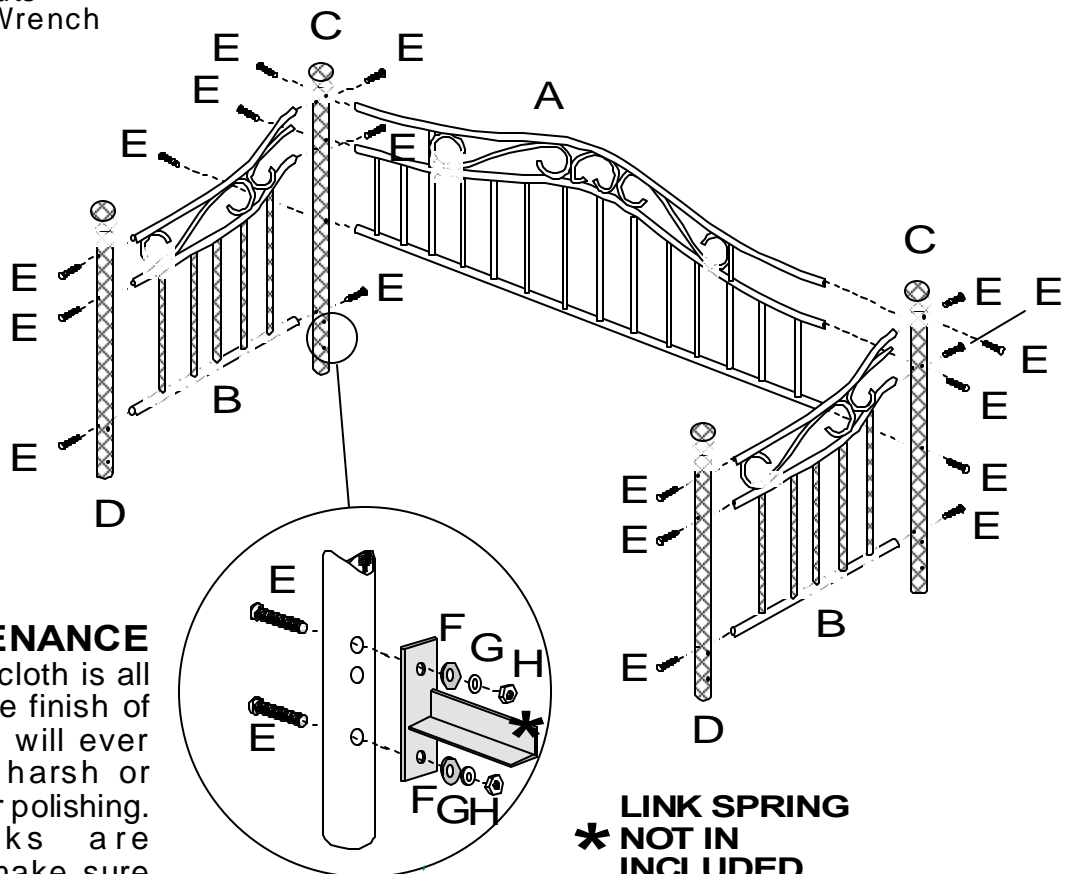
- A (1) Back Panel
- B (2) Side Panels
- C (2) Long Posts
- D (2) Short Posts

### HARDWARE LIST

- E (26) Allen Bolts
- F (8) Metal Washers
- G (8) Spring Washers
- H (8) Hex Nuts
- I (1) Allen Wrench



HARDWARE NOT  
DRAWN ACTUAL SIZE



### CARE & MAINTENANCE

The touch of a soft cloth is all the maintenance the finish of your new DAYBED will ever need. Never use harsh or abrasive cleaners for polishing. Periodic checks are recommended to make sure that all bolts, screws and nuts are securely tightened.